

OPERATING INSTRUCTIONS
MANUAL DE INSTRUCCIONES

Virutex[®]



FR129 VB



Router for fitting hinges
Fresadora de herrajes



ENGLISH	FR129 VB Router for fitting hinges	2
ESPAÑOL	Fresadora de herrajes FR129 VB	6

ENGLISH

ROUTER FOR FITTING HINGES FR129 VB

Important note



Carefully read the **GENERAL SAFETY INSTRUCTION LEAFLET** enclosed with the machine documents.
Keep both sets of instructions for any future queries.

Important note



Carefully read the **GENERAL SAFETY INSTRUCTION LEAFLET** enclosed with the machine documents.

1. Before plugging in the machine, make sure that the power supply voltage is the same as that shown on the specifications plate.
2. Always keep hands clear of the cutting area. Always hold the machine safely.
3. Always use original VIRUTEX tools. Never use defective or damaged tools.
4. Always use cutter bits with the appropriate stem diameter for the chuck collet and tool speed to be used.



Unplug the machine from the mains before carrying out any maintenance operations.

1. CHARACTERISTICS

Power.....	750 W
No load speed.....	30,000/min
Weighted equivalent acoustic pressure level.....	85 dB A
Usual level of vibrations (hand-arm).....	<2.5m/s ²

Chuck diameter.....1/4" mm
Weight.....4.3 kg

2. SPECIFICATIONS

Lengthways displacement of milling cutter shaft

5 11/16" = 145 mm

Sideways displacement of milling cutter shaft

2 1/8" = 54 mm

Lengthways milling with cutter bit Ø 1 1/4":

6 15/16" = 176 mm

Sideways milling with cutter bit Ø 1 1/4":

3 3/8" = 85 mm

Minimum opening between clamp vises

1 5/16" = 33mm

Maximum opening between clamp vises

8" = 203 mm

Cutter bit maximum diameter

1 1/4" = 32mm

Maximum milling depth

7/16" = 11mm

The following concepts are dealt with in the different sections of this manual. Please see (Fig. 1).

A = Width of rebate

B = Width of hinge wing

R = Depth of rebate (Interior side of rebate)

Right opening door

Left opening door

The FR129 VB router enables you to make recesses for rectangular hinges without using a template.

The corners of the recesses will have radius R (Fig. 15a) of the TCT bit used. This means that if the original 1/2" TCT bit is used, the radius will be 1/4".

If you are planning to fit large hinges with a corner radius of 5/8", use our optional 1 1/4" bit 2945499.

If you wish to fit hinges without a radius in the corners, we have an optional accessory, "90° corner chisel 2945471"

(Fig. 15b). This will enable you to cut the radiuses with maximum ease.

The FR129 VB router will also enable you to make recesses for hinges of any shape, provided a suitable template is used. Minimum recess required A (Fig. 1) for fitting hinges with the FR129 VB using a template should be at least the same width as hinge wing B + $15/64$ " = 6 mm.

Templates for special hinges are manufactured in accordance with the width of the rebate and not the thickness of the door, although both measurements are normally the same, unless otherwise requested in the order form. If the thickness of the door is less than the width of the rebate, the hinge will fit correctly into the frame. However, the hinge cylinder will project from the door face by the difference in the two thicknesses.

3. UNPACKING

Inside the transporting case the following items will be found: (Fig. 2)

1. Copy router model FR129 VB with hard metal bit $\varnothing 1/2$ "
2. Base (without template)
3. Hinge distributor tube for three-hinge door
4. Hinge distributor connector for three-hinge door
5. Hinge distributor tube for four-hinge door
6. Hinge distributor connector for four-hinge door
7. Philips screwdriver.
8. $3/4$ " = 19-mm wrench for chuck securing nut
9. $7/16$ " = 11-mm wrench for blocking motor axle and securing pointers
10. $5/32$ " = 4-mm Allen wrench for adjusting frame/door gap
11. Template guide outside diameter $5/8$ " = 16

4. ASSEMBLY OF THE ROUTER

Remove bolt C (Fig. 2).

Fit motor body 1 (Fig. 2) in the columns on router base 2 (Fig. 3).

Check the vertical movement of the motor body in the columns.

Secure bolt C (Fig. 3).

Check that the template guide moves freely lengthways and sideways in the template shape.

5. GENERAL DESCRIPTION OF THE MACHINE

The router for fitting hinges is made up of the following components and performs the following tasks:

5.1 Motor body 1 (Fig. 3), which, via the motor axis, supplies the necessary power and revolutions to the TCT bit to perform recessing.

5.2 Base 2 (Fig. 3), which includes the components for securing and regulating the machine on the frame and door, and which enables motor body 1 (Fig. 3) to move on guides, sideways lengthways and inwardly, to perform the milling of the recess, and upon which template D can be mounted (Fig. 7) if so desired, for milling hinge recesses. This base 2 (Fig. 3) enables you to place the recesses for

the hinges on the frame, placing it on the width of the rebate (Fig. 1 and 4), and stopping it on inner face R (Fig. 1), or on the edge of the door (Fig. 13).

It is also possible to fit hinges to doors without rebates, taking the reference from the outer frame face with screws C1 (Fig. 17), as explained in Section 10.

Base 2 (Fig. 4) is secured to the frame or door by tightening clamp vises E (Fig. 4), by turning crank handles F (Fig. 4). Base 2 (Fig. 5) of the machine has supports on either side, G and H (Fig. 5), with the dual function of being used for the outer face as a reference for the limit of the lengthways recess of the frame (Fig. 9), to place the first hinge, and as support for connector I (Fig. 3) and hinge distributor tube K (Fig. 3), which are used for placing the second and subsequent hinges.

Connector 1 (Fig. 3) has fitted stop J (Fig. 13), and this is used to place the first hinge at the door. This stop comes already regulated from the factory so that when the door is hung to the frame there is a gap between the door and the frame cross beam of approximately $1/16$ " = 1.5 mm. This gap can be widened if so desired by loosening screw J1 (Fig. 13) and moving stop J (Fig. 13).

Hinge distributor tubes K (Fig. 3) enable the three or four recesses to be placed along the length of the door and frame (Fig. 11 and 14), and have regulators at each end. These allow work to be done at different heights of the door (6' 6", 6' 8", 7', 8' and 9'), and hinges (3", 3 1/2", 4", 4 1/2", 5" and 5 1/2") (Fig. 3). The base has springs L (Fig. 6 and 7) for quick assembly of template D (Fig. 6 and 7) for the hinge to be used.

6. PREPARATION OF THE ROUTER



Ensure that the machine is disconnected from the mains before carrying out any preparation or maintenance work.

6.1 FITTING THE CUTTER BIT

Firstly remove the motor body 1 from the template base 2 (Fig. 2) following the instructions in section 4 in reverse order. Using service keys 8 and 9 (Fig. 8) we can change the bit if necessary and also adjust the outlet to $1^{9/64}$ " = 29 mm between the end of the bit and the side of the bolt, taking care to secure it tightly.

If the bit fitted is larger than $7/8$ " = 22 mm, it will not pass through cover P (Fig. 7), and will have to be dismantled by removing screws P1 (Fig. 7) which support it.

Lastly the motor body is refitted to the base 2 (Fig. 3) as indicated in section 4.

6.2 FITTING THE DISTRIBUTION TUBE

Hinge distributor tube 3 or 5 (Fig. 2) must be mounted on connector 4 or 6 (Fig. 2) as shown in (Fig. 3), on the corresponding drill hole at the height of the frame in which hinges 6' 6", 6' 8", 7', 8' or 9' (Fig. 3), are going to be fitted.

At the opposite end of tube K (Fig. 3), place reference stop M (Fig. 3) in the corresponding drill hole for the length of hinge to be fitted, or in the nearest if it does not correspond with that of those marked.

7. PLACING HINGES WITHOUT TEMPLATE ON RIGHT HAND DOOR

7.1 PLACING HINGES ON THE FRAME

Ensure that the operations of fitting or adjusting the bit, the template and the distribution tube indicated in section 6 have been fully carried out before proceeding.

ADJUSTING THE RECESS HEIGHT

The machine has stop ruler M (Fig. 15 and 7), with two scales marked from the centre towards the two ends, one for each bit diameter, $\frac{1}{2}$ " or $1\frac{1}{4}$ " (Fig. 15 and 7). Place the two stops A1 (Fig. 15 y 7) here in the position corresponding to the height (3 ", $3\frac{1}{2}$ ", 4 ", $4\frac{1}{2}$ ", 5 " or $5\frac{1}{2}$ ") of the hinge we are about to fit.

POSITIONING THE MACHINE FOR THE FIRST RECESS

Loosen levers S (Fig. 9). Place the machine (Fig. 9) over the rebate of the frame, turning the indicator "RIGHT FRAME" MD (Fig. 9 and 5) towards the upper part of it.

Move the machine sideways to the end of the frame rebate and upwards until support H (Fig. 9) touches the bottom of the rebate in the crossbeam of the frame.

Tighten the clamp vises over the thick part of the door-frame by means of crank handles F (Fig. 9).

Move machine base 2 (Fig. 9) along the width of the rebate until it reaches interior face T (Fig. 9) of the rebate on the frame. Secure the machine in this position using levers S (Fig. 9).

ADJUSTING THE WIDTH OF THE RECESS

The width of the recess is obtained by regulating stop bolt B1 (Fig. 16). Follow these steps:

Ensure that the machine has been disconnected from the mains.

Hold the bit so that it touches the edge of the frame with cutting edge Q (Fig. 15). Lock it into this position with knob U (Fig. 16). Place stop bolt B1 at distance X (Fig. 16) of fixed stop B2 (Fig. 16), equal to the width of the recess you wish to make. The width stop will now be adjusted.

AJUSTING THE DEPTH OF THE RECESS

Push the motor body towards the frame until the bit tip is touching the wood. Lock it into this position with knob U (Fig. 9).

Place the hinge between head V and nut W (Fig. 10). Adjust the width of the hinge with this bolt.

Remove the hinge and release knob U (Fig. 9).

STARTING UP THE MACHINE

To start the machine, press button X forward (Fig. 8) to the on position. To stop the machine, simply press the back of the switch and it will return to the off position.

ROUTING THE FIRST RECESS

By gradually pushing motor body 1 (Fig. 9), the bit will make an incision on the frame to the depth of the previously adjusted hinge. Secure the machine at this depth with knob U (Fig. 9).

Next, move the motor body lengthways and sideways, between the adjusted stops until obtaining a recess for the whole shape of the hinge. Once the recess for the first hinge has been obtained, stop the machine. Loosen crank handles F (Fig. 9), slide the machine to the approximate position for the second hinge and once again secure crank handles F.

FITTING THE DISTRIBUTOR TUBE

Slightly loosen upper crank handle FS (Fig. 11) and separate the machine from the frame on this side by approximately $13/64$ "=0.5 cm to facilitate the fitting of previously prepared distributor tube K (Fig. 11).

Fit distributor tube K (Fig. 11) to support H (Fig. 11 and 5). To do this, pull pin G1 (Fig. 5) until connector I (Fig. 5) of distributor tube K (Fig. 11) can enter between supports H (Fig. 11 and 5). Release it when drill coincides with pin G1 (Fig. 5) to bring about the locking.

ROUTING THE SECOND AND THIRD RECESSES

To position the machine for the second recess, loosen both crank handles F (Fig. 11), place centring device M (Fig. 11) of hinge distributor tube K (Fig. 11) on the bottom part of the recess of the first hinge and, leaning the machine against the recess, secure crank handles F (Fig. 11) once again in this position.

Rout the second hinge recess in the same way as explained for the first. This process is repeated to rout the third recess, positioning distributor tube K (Fig. 11) over the second hinge. This operation is repeated for the fourth if working with distributor tube 5 (Fig. 2) for four hinges.

7.2 PLACING THE HINGES ON THE DOOR FITTING THE DISTRIBUTOR TUBE

Fit hinge distribution tube K (Fig. 13) with stop J (Fig. 13) facing downwards, into support G (Fig. 13) on the side of the support marked "RIGHT HAND DOOR" MI (Fig. 13). Secure it with pin G1 (Fig. 13).

MACHINE POSITION FOR THE FIRST RECESS

Loosen levers S (Fig. 13) and position the machine on the edge of the door, with tube K (Fig. 13) towards the upper side of it.

Move the machine along the edge of the door until stop J (Fig. 13) touches the upper end of it. Tighten the clamp vises to the door using crank handles F (Fig. 13). Move base 2 of the machine (Fig. 12 and 13) until stops Y (Fig. 12) on either side of the base touch the heads of screws Z (Fig. 12). Secure levers S (Fig. 13) once again in this position. The position of screws Z (Fig. 12) with respect to stops Y (Fig. 12) provide a $1/16$ "=1.5 mm space in the hung door between the entrance face of the door and the interior side of the rebate. If less space is required, screws Z can be

supplemented with washers of the required thickness.

ROUTING THE FIRST RECESS

Connect the machine to the mains. Push safety button X (Fig. 8), and press the switch to start the machine.

By gradually pushing motor body 1 (Fig. 13), the machine will make an incision on the frame to the depth of the previously adjusted hinge. Secure the machine at this depth with knob U (Fig. 13).

Next, move the motor body lengthways and sideways, between the adjusted stops, until obtaining the recess for the whole shape of the hinge.

Once the recess for the first hinge has been obtained, stop the machine and loosen knob U (Fig. 13).

CHANGING THE DISTRIBUTOR TUBE

Remove distributor tube K (Fig. 13) from support G (Fig. 13) and fit it again to the same support. However this time place stop J (Fig. 13 and 14) facing upwards.

ROUTING THE SECOND AND THIRD RECESSES

Loosen both crank handles F (Fig. 13), releasing the pressure on the door thickness, and slide the milling machine to the position of the second hinge.

The distance between hinges (Fig. 14) is obtained by positioning centring device M (Fig. 14) of hinge distributor tube K (Fig. 14) over the lower part of the recess of the first hinge. This leaves the machine at the exact distance required for carrying out the recess for the second hinge. Secure the ensemble to the door with crank handles F (Fig. 14) in the same way as the first hinge, and rout the recess accordingly. This process is repeated to rout the third recess, positioning distributor tube K (Fig. 14) over the second hinge. The operation is repeated for the fourth if working with tube 5 (Fig. 2) for 4 hinges.

8. PLACING HINGES ON LEFT-HAND DOORS, WITHOUT A TEMPLATE

8.1 PLACING THE HINGES ON THE FRAME

The process to follow for routing the recesses is the same as that for the frames for right-hand doors, the only difference being that support G (Fig. 5) must be used, from the side of the base marked "LEFT-HAND FRAME" MI, as a reference for locating the first hinge in the frame and for mounting distributor tube K in it. This is also used for successive ones (Fig. 5).

8.2. PLACING THE HINGES IN THE DOOR

The process to follow for milling the recesses is the same as that for the frames for right-opening doors, the only difference being that support H (Fig. 5) must be used - marked "LEFT-HAND DOOR" MD (Fig. 5) - for mounting distributor tube K, used for placing the recesses (Fig. 5).

9. MAKING RECESSES WITH A TEMPLATE

Before continuing, ensure that MOUNTING OR REGULATING

THE MACHINE and PREPARING THE DISTRIBUTOR TUBE have been completed, as explained in Section 6.

PREPARING THE TEMPLATE AND TEMPLATE GUIDE

If planning to use the 1/2 " bit supplied with the machine, fit template guide outside diameter 16, N (Fig. 7) in the machine with 2 screws in drill hole N1 (Fig. 7).

Place stops A1 (Fig. 7) and B1 (Fig. 16) at the maximum distance so that they will not work when copying with the template.

Template D (Fig. 6 and 7) will be needed for fitting every type of hinge. This same template works for placing the hinge in the frame and door, regardless of whether these are right or left opening.

Template D (Fig. 7) is pressure-locked onto springs L. The arrow of the template must be aligned with the instruction "RIGHT-DERECHA" (Fig. 6) of the side of the base, if preparing the machine for right opening doors, or with the instruction "LEFT-IZQUIERDA", on the opposite side, for left opening doors.

Check to ensure the free lengthways and crossways movement of the template guide within the template shape. For hinges whose frame-fastening wings end in a rounded tip, we recommend using a bit with the same diameter as the width of this wing, and the template guide corresponding to the bit. In this way, the recess is made in one go and with greater speed. See the section on bits and template guides (Fig. 21).

POSITIONING THE MACHINE FOR MAKING RECESSES, ADJUSTING THE DEPTH OF RECESS AND FITTING THE DISTRIBUTOR TUBE, in the door or frame and for right or left opening doors, is done just as if one was working without a template, as explained in sections 7 and 8 of this manual. When MAKING RECESSES, instead of moving the machine between the stops, move it along the inside of the template until copying the template shape in the recess.

10. PLACING HINGES LEVEL WITH THE EXIT FACE, OR IN FRAMES WITHOUT REBATE, WITH OR WITHOUT TEMPLATE

To place hinges in frames without rebates, or in frames with recesses larger than the template that is available and/or in those where one wants the door to fit flush with the frame on the exit face, the machine has two adjustable stops C1 (Fig. 17 and 18), which enable the machine to be positioned in the frame on the external face of it (Fig. 17) and on the door on the exit side of it (Fig. 18), instead of positioning it by the frame rebate and the entry face of the door, as in the standard process which has been explained.

The process for making the recesses is identical to that explained in sections 7 and 8 of this manual except with regard to the MACHINE POSITION FOR THE FIRST RECESS: where in the frame, instead of moving the base of milling machine 2 (Fig. 17) along the width of the rebate until it stops with the interior face of it, the position of the hinge

has to be adjusted with respect to the frame with screws C1 (Fig. 17). Secure them with bolts D1 (Fig. 17), and secure the base in this position with levers S (Fig. 17).

Once adjusted for the frame, adjustable stops C1 (Fig. 17 and 18) can also be used to position the machine in the door, but, unlike the standard process (Fig. 18), using the exit side.

11. RECOMMENDATIONS

Use the templates which correspond to the shapes and sizes of the hinges to be placed.

Use suitable bits and the corresponding template guides for the diameter of the bit.

12. MAINTENANCE

12.1 BRUSHES AND COLLECTOR



Unplug the machine from the mains before carrying out any maintenance operations.

Remove the screws E1 (Fig. 19) that hold the side covers G1 and detach them.

Remove the brush-holder J1 (Fig. 20) with small screwdriver K1, using one of the brush-holder side tabs to lever it out.

Push back the end of spring F1. Keep it in this position to extract the brush and replace it with a new genuine VIRUTEX brush. Reinsert the brush-holder, ensuring that it is firmly positioned in the casing and that each of the brushes exerts a small amount of pressure on the collector.

Re-attach the covers G1 with the corresponding screws, making sure that no wires get caught in the process.

It is advisable to leave the machine running for 15 minutes once the brushes have been changed.

If the collector burns or juts out, it should be serviced by a VIRUTEX service technician.

To ensure that mobile parts continue to move correctly, remember to get rid of any dirt, dust and shavings produced when making recesses.

Keep the cable and plug in good service condition.

13. ACCESSORIES

Standard templates for different hinges

Template guides for different bit diameters.

2945471 - 90° CORNER CHISEL RC29M

1222024 - CHUCK COLLET Ø 8 mm

14. TEMPLATE GUIDES AND CORRESPONDING BITS

See (Fig. 21)

15. NOISE LEVEL

These levels have been measured according to the European Standard EN50144.

The noise level in the workplace could go over 85dB(A). In this case it is necessary for the user to wear noise protection.

16. GUARANTEE

All of VIRUTEX portable tools are guaranteed for 12 months from the date of supply, excluding any damage which is a result of incorrect use or of natural wear and tear on the machine.

All repairs should be carried out by the official VIRUTEX technical assistance service.

VIRUTEX reserves the right to modify its products without prior notice.

ESPAÑOL

FRESADORA DE HERRAJES FR129 VB

Nota importante



Lea atentamente el FOLLETO DE INSTRUCCIONES GENERALES DE SEGURIDAD que se adjunta con la documentación de la máquina. Conserve los dos manuales de instrucciones para posibles consultas posteriores.

Nota importante



Lea atentamente el FOLLETO DE INSTRUCCIONES GENERALES DE SEGURIDAD que se adjunta con la documentación de la máquina.

1. Asegúrese antes de enchufar la máquina, que la tensión de alimentación se corresponda con la indicada en la chapa de características.

2. Mantenga siempre las manos alejadas del área de corte. Sujete siempre con la seguridad la máquina.

3. Use siempre herramientas originales VIRUTEX. No use nunca herramientas defectuosas o en mal estado.

4. Utilizar siempre fresas con el diámetro de la caña adecuado a la pinza a utilizar y adaptadas a la velocidad de la herramienta.



Desconectar la máquina de la red eléctrica antes de proceder a cualquier operación de mantenimiento.

1. CARACTERÍSTICAS

Potencia.....750 W

Velocidad en vacío.....30.000/min

Nivel de presión acústica continuo

equivalente ponderado.....85 db (A)

Nivel de vibraciones habitual (mano-brazo).....<2,5 m/s²
Diámetro pinza.....1/4 "
Peso.....4,3 Kg

2. DIMENSIONES

Desplazamiento longitudinal del eje de la fresa
5 ^{11/16"} = 145 mm

Desplazamiento transversal del eje de la fresa
2 ^{1/8"} = 54 mm

Fresado longitudinal máx. con fresa Ø 1 ^{1/4"}:
6 ^{15/16"} = 176 mm

Fresado transversal máx. con fresa Ø 1 ^{1/4"}:
3 ^{3/8"} = 85 mm

Abertura mínima entre las mordazas
1 ^{5/16"} = 33 mm

Abertura máxima entre las mordazas
8" = 203 mm

Diámetro máximo de fresa
1 ^{1/4"} = 32mm

Profundidad máxima de fresado
7/16" = 11mm

En éste manual, se citan en distintos apartados, los conceptos que a continuación se detallan y cuya interpretación encontrará en la (Fig. 1)

A = Ancho de rebajo.

B = Ancho de la pala del pernio o bisagra

R = Profundidad de rebajo (cara interior del rebajo)

Cara de entrada de la puerta

Cara de salida de la puerta

Puerta de apertura derecha

Puerta de apertura izquierda

Con la fresadora FR129 VB pueden realizarse sin plantilla, encajes para bisagras y pernios rectangulares.

Las esquinas de los encajes realizados, quedarán con el radio R (Fig. 15a) de la fresa que emplee, que será de 1/4" si usa la fresa de origen de 1/2".

Si va a encajar bisagras grandes, con radio en las esquinas de 5/8", debe usar nuestra fresa de 1 ^{1/4"}, 2945499 opcional. Si encaja bisagras sin radio en las esquinas, disponemos de un accesorio opcional; "Recortador de esquinas a 90° 2945471" (Fig. 15b), con el que podrá recortar los radios muy fácilmente.

También pueden realizarse con la fresadora FR129 VB, encajes para pernios o bisagras de cualquier forma, usando la plantilla adecuada.

Para poder encajar pernios o bisagras con la FR129 VB con plantilla, el ancho mínimo necesario de rebajo A (Fig. 1), debe ser al menos igual al ancho de pala del pernio o bisagra B+15/64"=6 mm.

Las plantillas para pernios o bisagras especiales, se fabrican siempre, de acuerdo al ancho del rebajo y no al grueso de la puerta, aunque ambas medidas suelen coincidir, a menos que se solicite lo contrario expresamente en el pedido. Si el grueso de la puerta, es menor, que el ancho del rebajo, el

pernio o bisagra quedará bien colocado en el marco, pero en la puerta, el cilindro del pernio o bisagra sobresaldrá de la cara de la puerta, la diferencia entre los gruesos.

3. DESEMBALAJE

En el interior de la maleta de transporte, Ud. encontrará los elementos siguientes: (Fig. 2)

1. Fresadora copiadora modelo FR129 VB con fresa Ø: 1/2" de Metal Duro.

2. Conjunto base fresadora (sin plantilla)

3. Tubo distribución de bisagras o pernios para 3 bisagras por puerta.

4. Conector distribuidor bisagras o pernios para 3 bisagras por puerta.

5. Tubo distribución de bisagras o pernios para 4 bisagras por puerta.

6. Conector distribuidor bisagras o pernios para 4 bisagras por puerta.

7. Destornillador Philips

8. Llave e/c 3/4"=19 mm para tuerca fijación pinza.

9. Llave e/c 7/16"=11 mm para bloquear eje motor y fijar índices.

10. Llave e/c 5/32"= 4 mm para ajustar holgura marco/puerta.

11. Guía plantilla D. ext. 5/8"=16

4. ENSAMBLAJE DE LA FRESADORA

Desenroscar la tuerca C, (Fig. 2).

Montar el cuerpo motor 1 (Fig. 2), en las columnas del bastidor de la fresadora 2, (Fig. 3).

Comprobar el deslizamiento vertical del cuerpo motor en sus columnas.

Enroscar la tuerca C (Fig. 3).

Comprobar el libre desplazamiento longitudinal y transversal.

5. DESCRIPCIÓN GENERAL DE LA FRESADORA

Los elementos integrantes de la fresadora y sus funciones son los siguientes:

5.1 Un cuerpo motor 1 (Fig. 3), el cual, a través de su eje motor, suministra la potencia y revoluciones necesarias a una fresa para realizar los encajes.

5.2 Un bastidor 2 (Fig. 3), que incorpora los elementos de fijación y regulación, al marco y la puerta, que permite el desplazamiento del cuerpo motor 1 (Fig. 3) sobre unas guías, en los sentidos longitudinal, transversal y de profundidad, para obtener el fresado del encaje, y en el que puede montarse si se desea una plantilla D (Fig. 7) para fresar encajes de pernios. Este bastidor 2 (Fig. 3), permite situar los encajes para las bisagras o pernios en el marco, colocándola sobre el ancho del rebajo (Figs. 1 y 4), y haciendo tope en la cara interior R (Fig. 1) del mismo, o sobre el canto en la puerta, (Fig. 13).

También es posible el encaje de bisagras o pernios en marcos sin rebajo, referenciando por la cara exterior del marco con los tornillos C1 (Fig. 17), como se explica en

el apartado 10.

El bastidor 2 (Fig. 4), se fija sobre el marco o la puerta, mediante el apriete de las mordazas E (Fig. 4), al girar las manivelas F (Fig. 4).

El bastidor 2 (Fig. 5) de la fresadora dispone en cada lateral de unos soportes, G y H (Fig. 5), con la doble función de servir por su cara exterior, de tope de referencia sobre el rebajo del travesaño del marco (Fig. 9), para situar la primera bisagra o pernio y de soporte para el conector I (Fig. 3) y el tubo distribución pernios K (Fig. 3), que se emplean para situar la segunda bisagra o pernio y los sucesivos.

El conector I (Fig. 3), lleva montado el tope J (Fig. 13), que se emplea para situar la primera bisagra en la puerta. Este tope sale regulado de fábrica para que una vez colgada la puerta, quede una holgura entre ésta y el travesaño del marco de aproximadamente $1/16''=1.5$ mm. Puede aumentar esta holgura si lo desea, aflojando el tornillo J1 (Fig. 13) y desplazando el tope J (Fig. 13).

Los tubos distribución pernios K (Fig. 3), permiten repartir los tres o cuatro encajes, en la longitud del marco y de la puerta, (Figs. 11 y 14), y llevan regulaciones en sus dos extremos, que permiten trabajar sobre distintas alturas de puerta, 6' 6'', 6' 8'', 7', 8' y 9', y de bisagra 3'', 3 $1/2''$, 4'', 4 $1/2''$, 5'' y 5 $1/2''$ (Fig. 3). El bastidor dispone de un dispositivo L (Fig. 6 y 7), para el ensamblaje rápido de la plantilla D (Fig. 6 y 7), del pernio a utilizar.

6. PREPARACIÓN DE LA FRESADORA



Asegúrese que la máquina está desconectada de la red eléctrica, antes de realizar cualquier operación de preparación o mantenimiento de la misma.

6.1 MONTAJE DE LA FRESA

Extraer previamente el cuerpo motor 1 (Fig. 2), del bastidor 2 (Fig. 3), procediendo en sentido inverso al explicado en el apartado 4, para su montaje. Con la ayuda de las llaves de servicio 8 y 9, (Fig. 8), cambiar la fresa si es necesario y regular la salida de la misma, a $1^{9/64}''=29$ mm entre el extremo de la fresa y la cara de la tuerca, y asegurarse de que quede firmemente apretada.

Si la fresa que ha montado, es de diámetro mayor de $7/8''=22$ mm, no pasaría a través de la tapa P (Fig. 7), por lo que deberá desmontarla quitando los tornillos P1 (Fig. 7), que la sujetan.

Para terminar, proceda de nuevo al montaje del cuerpo motor 1, en el bastidor 2 (Fig. 3), como se indica en el apartado 4.

6.2 PREPARACION DEL TUBO DISTRIBUIDOR

El tubo distribuidor de bisagras o pernios 3 o 5 (Fig. 2), debe montarse sobre el conector 4 o 6 (Fig. 2) correspondiente, en la posición de la (Fig. 3), y en el taladro correspondiente a la altura del marco de 6' 6'', 6' 8'', 7', 8' o 9'', en que vayan a colocarse las bisagras, (Fig. 3).

En el extremo opuesto del tubo K (Fig. 3), situar el tope de referencias M (Fig. 3), en el taladro correspondiente a la longitud de la bisagra a colocar, o en el más cercano, si ésta no coincide con alguno de los marcados.

7. ENCAJE DE BISAGRAS EN PUERTAS DE APERTURA DERECHA, SIN PLANTILLA

7.1. ENCAJE DE BISAGRAS EN EL MARCO

Asegúrese que el montaje o regulación de la fresa y la preparación del tubo distribuidor, explicados en el apartado 6, han sido completados antes de proseguir.

AJUSTE DE LA ALTURA DEL ENCAJE

La máquina dispone de una regla de topes M (Fig. 15 y 7), donde hay grabadas dos escalas desde el centro hacia los dos extremos, una para cada diámetro de fresa $1/2''$ o $1^{1/4}''$ (Fig. 15 y 7), donde debemos situar los dos topes A1 (Fig. 15 y 7), en la posición correspondiente a la altura de la bisagra (3'', 3 $1/2''$, 4'', 4 $1/2''$, 5'' o 5 $1/2''$) que vamos a colocar.

POSICIONAMIENTO DE LA MÁQUINA PARA EL PRIMER ENCAJE

Aflojar las palancas S (Fig. 9). Situar la fresadora (Fig. 9), sobre el rebajo del marco, orientando el indicador "MARCO DERECHO" MD (Figs. 9 y 5), hacia la parte superior del mismo.

Llevar la máquina a tope del rebajo del marco lateralmente y desplazarla hacia arriba hasta que el soporte H (Fig. 9), toque el fondo del rebajo en el travesaño del marco.

Apretar las mordazas sobre el grueso del marco mediante las manivelas F, (Fig. 9).

Desplazar el bastidor 2 (Fig. 9) de la fresadora, sobre el ancho del rebajo, hasta que haga tope en la cara interior T (Fig. 9) del rebajo del marco y fijar la máquina en esta posición, mediante las palancas S, (Fig. 9).

AJUSTE DE LA ANCHURA DEL ENCAJE

La anchura del encaje se obtiene regulando la tuerca de tope B1 (Fig. 16), para lo cual deberá seguir los siguientes pasos:

Asegúrese que la máquina está desconectada de la red eléctrica.

Sitúe la fresa tocando el borde del marco por el labio cortante Q (Fig. 15) y bloquéela en esa posición fijando el pomo U (Fig. 16). Coloque la tuerca tope B1 (Fig. 16), a una distancia X (Fig. 16) del tope fijo B2 (Fig. 16), equivalente al ancho de encaje que desea realizar y tendrá el tope de anchura ajustado.

AJUSTE DE LA PROFUNDIDAD DEL ENCAJE

Presionar el cuerpo motor hacia el marco, hasta que la punta de la fresa toque la madera y bloquearlo en esta posición con el pomo U (Fig. 9).

Situar la bisagra, entre el cabezal V y la tuerca W (Fig. 10). Ajustando el grueso de la bisagra con dicha tuerca.

Retirar la bisagra y desbloquear el pomo U (Fig. 9).

PUESTA EN MARCHA

Para la puesta en marcha de la máquina presionar hacia delante sobre el pulsador X (Fig. 8) el cual se quedará enclavado en posición de marcha. Para parar la máquina presionar simplemente sobre la parte trasera del pulsador y a su posición de reposo.

FRESADO DEL PRIMER ENCAJE

Presionando gradualmente el cuerpo motor 1 (Fig. 9), la fresa incidirá sobre la cara del rebajo, hasta la profundidad, de la bisagra previamente ajustada. Fijar la máquina a esta profundidad, con el pomo U (Fig. 9).

Seguidamente deslizar el cuerpo motor en los sentidos longitudinal y transversal, entre los topes ajustados, hasta obtener el encaje de toda la figura de la bisagra. Obteniendo el encaje de la primera bisagra, parar la fresadora; aflojar las manivelas F (Fig. 9), deslizar la fresadora hasta la posición aproximada del segundo encaje y fijar de nuevo las manivelas F.

MONTAJE DEL TUBO DISTRIBUIDOR

Aflojar ligeramente sólo la manivela superior FS (Fig. 11) y separar la máquina, del rebajo del marco por ese lado, $13/64"=0.5$ cms aproximadamente, para facilitar el montaje del tubo distribuidor K (Fig. 11) preparado previamente. Montar el tubo distribuidor K (Fig. 11), en el soporte H (Figs. 11 y 5). Para ello tirar del pasador G1 (Fig. 5) hasta que permita la entrada del conector I (Fig. 5) del tubo distribuidor K (Fig. 11) entre los soportes H (Figs. 11 y 5) y soltarlo cuando el taladro, coincida con el pasador G1 (Fig. 5), para obtener el enclavamiento.

FRESADO DE 2º Y 3er ENCAJE

Para posicionar la máquina para el segundo encaje, aflojar las dos manivelas F (Fig. 11), situar el centrador M (Fig. 11) del tubo distribuidor pernios K (Fig. 11), en la parte inferior del encaje de la primera bisagra, y sosteniendo la máquina contra el rebajo, sujetar de nuevo las manivelas F (Fig. 11) en esta posición.

Fresar el encaje de la segunda bisagra de la misma forma explicada para la primera. El proceso se repetirá para el fresado del tercer encaje, referenciando el tubo distribuidor K (Fig. 11), sobre la segunda bisagra y se repetirá la operación para el cuarto, si se trabaja con el tubo nº 5 (Fig. 2), de distribución, para 4 bisagras o pernios.

7.2. ENCAJE DE BISAGRAS EN LA PUERTA MONTAJE DEL TUBO DISTRIBUIDOR

Colocar el tubo distribución pernios K (Fig. 13), con el tope J (Fig. 13) hacia abajo, en el soporte G (Fig. 13), en el lado del soporte que lleva indicado "PUERTA DERECHA" MI (Fig. 13), y enclavarlo con el pasador G1 (Fig. 13).

POSICIONAMIENTO DE LA MÁQUINA PARA EL PRIMER ENCAJE

Aflojar las palancas S (Fig. 13), y situar la fresadora sobre el canto de la puerta, con el tubo K (Fig. 13) hacia el lado

superior de la misma.

Desplazar la fresadora sobre el canto de la puerta hasta que el tope J (Fig. 13), toque el extremo superior de la misma y apretar las mordazas sobre la puerta, mediante las manivelas F (Fig. 13). Desplazar el bastidor 2 de la máquina (Figs. 12 y 13) hasta que los topes Y (Fig. 12), situados a ambos lados del bastidor, toquen las cabezas de los tornillos Z, (Fig. 12), y fijar de nuevo las palancas S (Fig. 13) en ésta posición.

La situación de los tornillos Z (Fig. 12) respecto a los topes Y (Fig. 12), dan una holgura en la puerta colgada, entre la cara de entrada de la puerta y el fondo del rebajo del marco, de $1/16"=1,5$ mm. Si se necesita menor holgura, pueden suplementarse los tornillos Z (Fig. 12) con las arandelas del grueso necesario.

FRESADO DEL PRIMER ENCAJE

Conectar la fresadora a la red eléctrica. Pulsar el botón de seguro X (Fig. 8), y accionar el interruptor de la fresadora para ponerla en marcha.

Presionando gradualmente el cuerpo motor 1 (Fig. 13), la fresa incidirá sobre la cara de la puerta, hasta la profundidad de la bisagra previamente ajustada. Fijar la máquina a esta profundidad, con el pomo U (Fig. 13).

Seguidamente deslizar el cuerpo motor en los sentidos longitudinal y transversal, entre los topes ajustados, hasta obtener el encaje de toda la figura de la bisagra.

Obtenido el encaje de la primera bisagra o pernio, parar la fresadora y aflojar el pomo U (Fig. 13).

CAMBIO DEL TUBO DISTRIBUIDOR

Extraer el tubo distribuidor K (Fig. 13), del soporte G (Fig. 13) y montarlo de nuevo en el mismo soporte, pero esta vez situando el tope J (Figs. 13 y 14) hacia arriba.

FRESADO DEL 2º Y 3er ENCAJES

Aflojar las manivelas F (Fig. 13) liberando la presión ejercida sobre el grueso de la puerta y deslizar la fresadora hasta la posición de la segunda bisagra.

La distancia entre las bisagras, (Fig. 14), se obtiene referenciando el centrador M (Fig. 14) del tubo distribuidor bisagras K (Fig. 14), en la parte inferior del encaje de la primera bisagra, lo que deja la máquina a la distancia precisa, para realizar el encaje de la segunda bisagra. Fijar el conjunto a la puerta, con las manivelas F (Fig. 14), del mismo modo que en la primera bisagra y fresar el encaje de forma análoga.

El proceso se repetirá para el fresado del tercer encaje, referenciando el tubo distribuidor K (Fig. 14), sobre la segunda bisagra y se repetirá la operación para el cuarto, si se trabaja con el tubo nº 5 (Fig. 2), de distribución para 4 bisagras o pernios.

8. ENCAJE DE BISAGRAS EN PUERTAS DE APERTURA IZQUIERDA, SIN PLANTILLA

8.1. ENCAJE DE BISAGRAS EN EL MARCO

El proceso a seguir para el fresado de los encajes, es idéntico

tico al seguido para los marcos de puertas de apertura derecha, con la única diferencia, que debe emplearse el soporte G (Fig. 5), del lado del bastidor que va marcado con la indicación "MARCO IZQUIERDO" MI (Fig. 5), como referencia para situar la primera bisagra en el marco y para montar en él el tubo distribuidor K, que se usa para las sucesivas (Fig. 5).

8.2. ENCAJE DE BISAGRAS EN LA PUERTA

El proceso a seguir para el fresado de los encajes, es idéntico al seguido para las puertas de apertura derecha, con la única diferencia, que debe emplearse el soporte H (Fig. 5), que va marcado con la indicación "PUERTA IZQUIERDA" MD (Fig. 5), para montar el tubo distribuidor K que se usa para situar los encajes (Fig. 5).

9. ENCAJE DE PERNIOS CON PLANTILLA

Asegúrese que el MONTAJE O REGULACIÓN DE LA FRESA y la PREPARACIÓN DEL TUBO DISTRIBUIDOR, explicados en el apartado 6, han sido completados antes de proseguir.

PREPARACIÓN DE LA PLANTILLA Y LA GUIA PLANTILLA

Montar la guía plantilla D. ext. 16, N (Fig. 7) en la máquina, con los 2 tornillos en los taladros N1 (Fig. 7), si va a usar la fresa de 1/2" librada con la máquina.

Situar los topes A1 (Fig. 7) y B1 (Fig. 16), al final de su recorrido, para que no actúen cuando copiemos con la plantilla.

Para cada tipo de pernio, es necesario utilizar una plantilla D (Fig. 6 y 7). La misma plantilla sirve para situar el pernio en el marco y la puerta, tanto de apertura derecha, como izquierda.

La plantilla D (Fig. 7), se monta sobre los resortes L por simple presión. La flecha de la plantilla, debe coincidir con la indicación "RIGHT-DERECHA" (Fig. 6), del lateral del bastidor, si preparamos la máquina para puertas de apertura derecha, o con la indicación "LEFT-IZQUIERDA", del lateral opuesto, para las de apertura izquierda.

Comprobar el libre desplazamiento longitudinal y transversal, de la guía plantilla, dentro de la figura de la plantilla.

Para pernios cuyas palas de sujeción al marco, terminan en punto redondo, es aconsejable usar una fresa del mismo diámetro que el ancho de dicha pala, y la guía plantilla correspondiente a la fresa y así el encaje se realiza en una sola pasada y con mayor rapidez. Vea el apartado de fresas y guías plantillas (Fig. 21).

El POSICIONAMIENTO DE LA MÁQUINA PARA HACER LOS ENCAJES, el AJUSTE DE LA PROFUNDIDAD DEL ENCAJE, y el MONTAJE DEL TUBO DISTRIBUIDOR; en la puerta o en el marco y para puertas de apertura derecha o izquierda, se efectuará de la misma forma que si trabajáramos sin plantilla, tal como se explica en los apartados 7 y 8 de este manual. Para el FRESADO DE LOS ENCAJES, desplazaremos la guía plantilla del cuerpo motor, por el interior de la

plantilla, en lugar de desplazarlo entre los topes, hasta reproducir la figura de la plantilla en el encaje.

10. ENCAJE DE BISAGRAS O PERNIOS AL RAS DE LA CARA DE SALIDA, O EN MARCOS SIN REBAJO, CON O SIN PLANTILLA

Para encajar bisagras o pernios en marcos sin rebajo, o en marcos de rebajo mayor que el de la plantilla de que disponemos y/o en los que se desea que la puerta quede enrasada con el marco por la cara de salida, la máquina dispone de dos topes regulables C1 (Figs. 17 y 18), que permiten referenciar la máquina en el marco, por la cara exterior del mismo (Fig. 17) y en la puerta por su cara de salida (Fig. 18), en lugar de referenciar por el rebajo del marco y la cara de entrada de la puerta, como en el proceso normal explicado.

El proceso de realización de los encajes es idéntico al explicado en los apartados 7 y 8 de este manual, excepto el POSICIONAMIENTO DE LA MÁQUINA PARA EL PRIMER ENCAJE: donde en el marco, en lugar de desplazar el bastidor de la fresadora 2 (Fig. 17), sobre el ancho del rebajo, hasta hacer tope en la cara interior del mismo, debemos ajustar la posición del pernio o bisagra respecto a la cara del marco, con los tornillos C1 (Fig. 17), fijarlos con las tuercas D1 (Fig. 17) y fijar el bastidor 2 en esa posición con las palancas S (Fig. 17).

Los topes regulables C1 (Figs. 17 y 18), una vez ajustados para el marco, sirven también para referenciar la máquina en la puerta, pero por la cara de salida, al contrario que en el proceso convencional (Fig. 18).

11. RECOMENDACIONES

Use las plantillas correspondientes a las figuras y dimensiones de los pernios a colocar.

Use las fresas adecuadas y las guías plantillas correspondientes al diámetro de fresa.

12. MANTENIMIENTO

12.1. ESCOBILLAS Y COLECTOR



Desconecte la máquina de la red eléctrica, antes de efectuar cualquier operación de mantenimiento.

Quitar los tornillos E1 (Fig. 19) que sujetan las tapas laterales G1 y separar ambas.

Extraer los portaescobillas J1 (Fig. 20) con la ayuda de un pequeño destornillador K1, haciendo palanca sobre una de las pestañas laterales del portaescobillas.

Desplazar hacia atrás el extremo del muelle F1. Retenerlo en esta posición para extraer la escobilla y sustituirla por una nueva original VIRUTEX. Colocar de nuevo el portaescobillas procurando que asiente firmemente en la carcasa y que cada una de las escobillas presionen suavemente sobre el colector.

Montar las tapas G1 con sus correspondientes tornillos, asegurándose de no pellizcar ningún cable en el ensamblaje de ambas.

Es aconsejable que se tenga en marcha la máquina durante unos 15 minutos, una vez cambiadas las escobillas.

Si el colector presenta quemaduras o resaltes, se recomienda hacerlo reparar en un servicio técnico VIRUTEX.

Para obtener un buen deslizamiento de las partes móviles, se recomienda mantenerlas limpias de suciedad, polvo y viruta producidos en la realización de los encajes.

Mantenga siempre el cable y el enchufe en buenas condiciones de servicio.

13. ACCESORIOS

Plantillas para distintos pernios.

Guías plantillas para distintos diámetros de fresa.

2945471-Recortador de esquinas a 90° RC29M

1222024-Pinza Diámetro 8 mm.

14. RELACIÓN DE GUÍAS PLANTILLAS Y FRESAS

Ver (Fig. 21)

15. NIVEL DE RUIDO

Las mediciones de esta herramienta eléctrica han sido efectuadas según norma Europea EN50144.

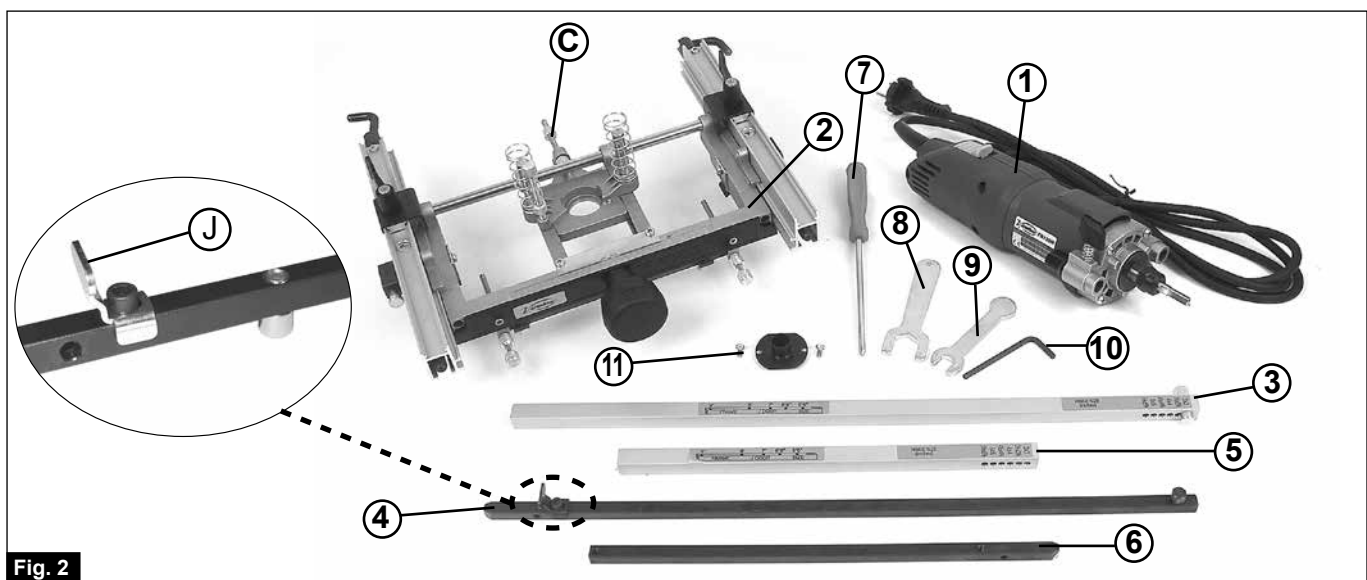
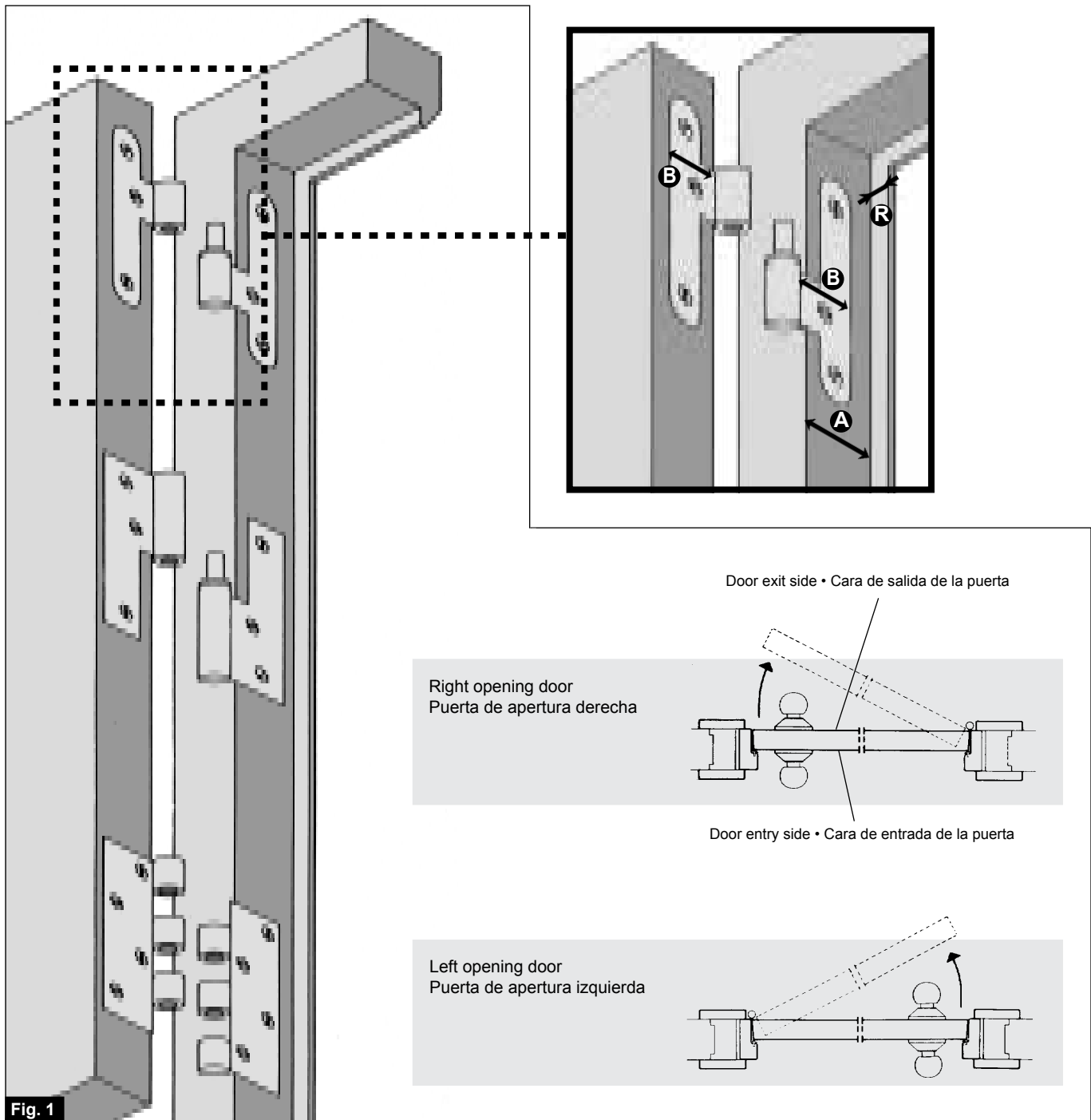
El nivel de ruidos en el puesto de trabajo puede sobrepasar 85 dB (A). En este caso es necesario tomar medidas de protección contra el ruido para el usuario de la herramienta.

16. GARANTÍA

Todas las máquinas electroportátiles VIRUTEX tienen una garantía válida de 12 meses a partir del día de su suministro, quedando excluidas todas las manipulaciones o daños ocasionados por manejos inadecuados o por desgaste natural de la máquina.

Para cualquier reparación dirigirse al servicio oficial de asistencia técnica VIRUTEX.

VIRUTEX se reserva el derecho de modificar sus productos sin previo aviso.



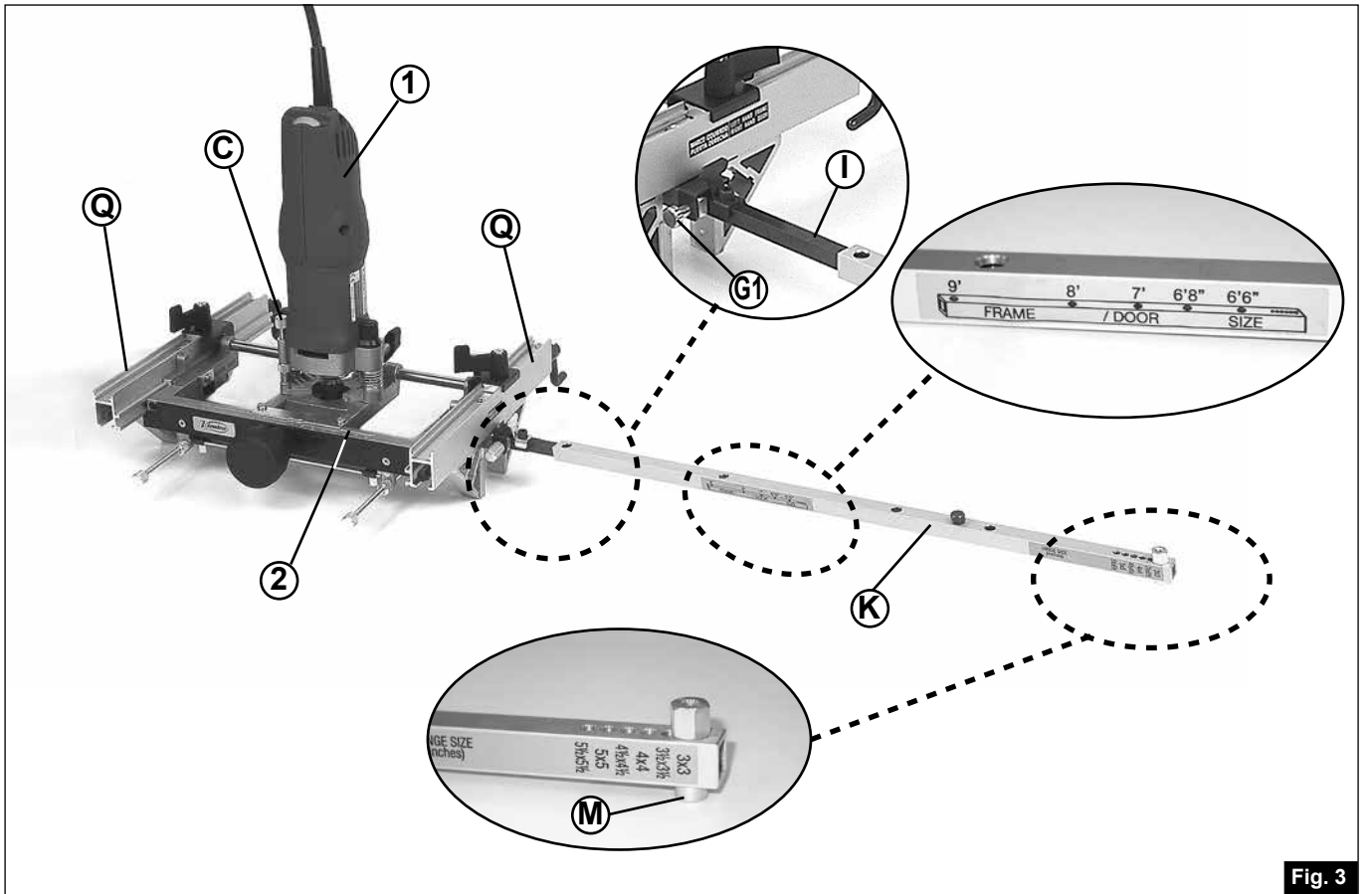


Fig. 3

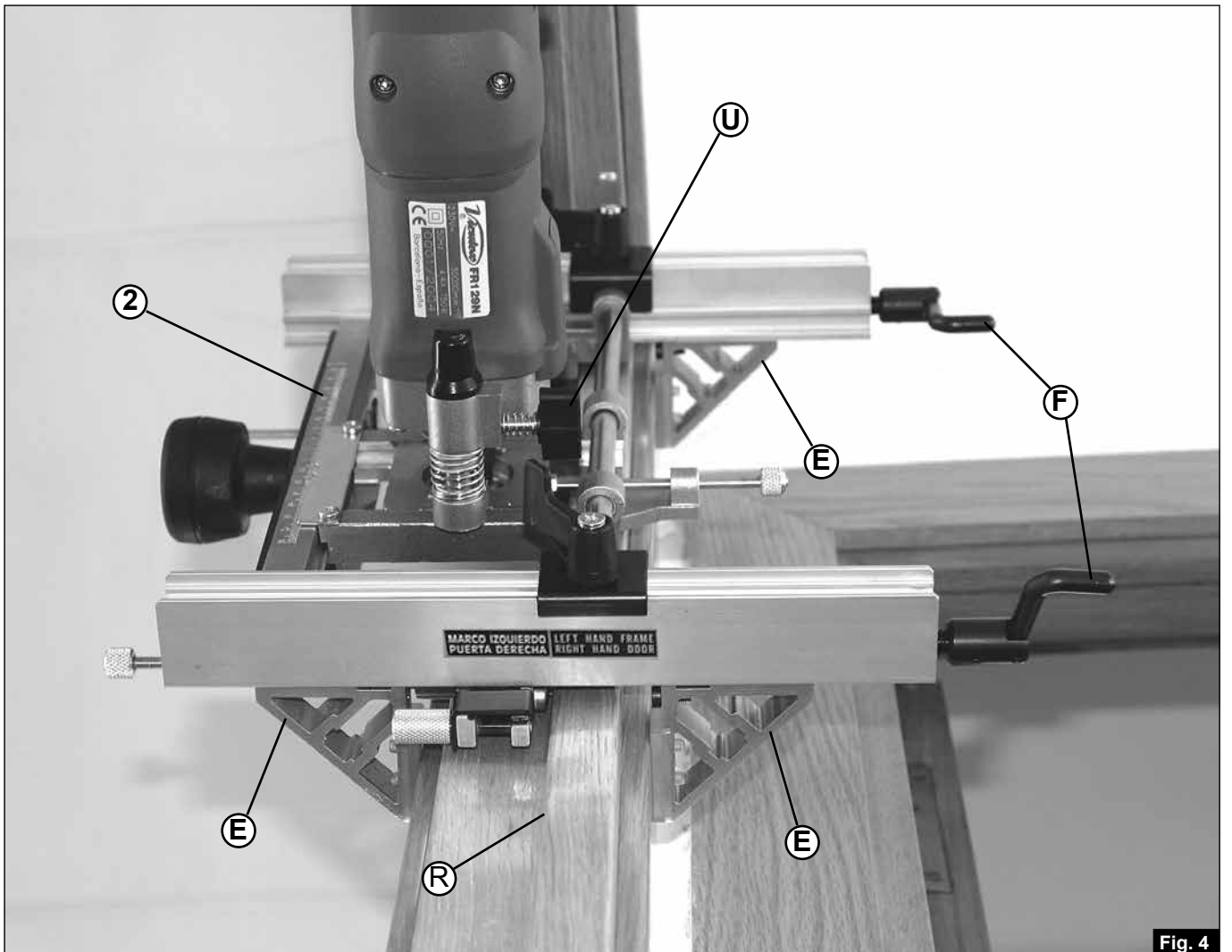


Fig. 4

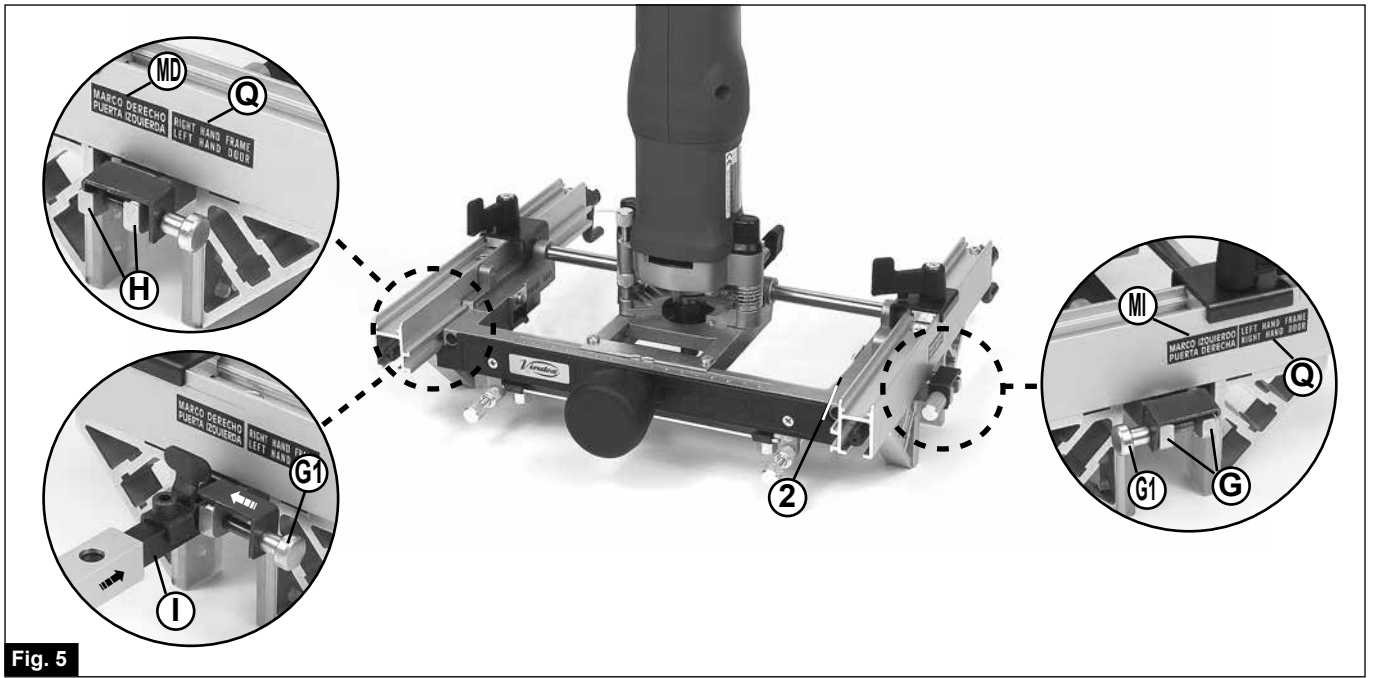


Fig. 5

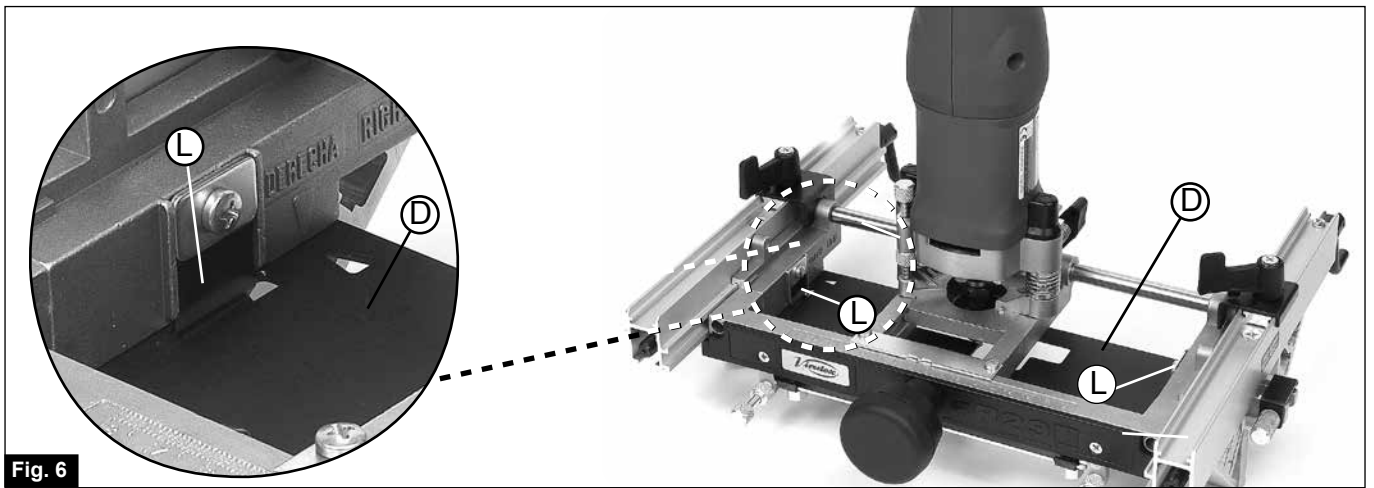


Fig. 6

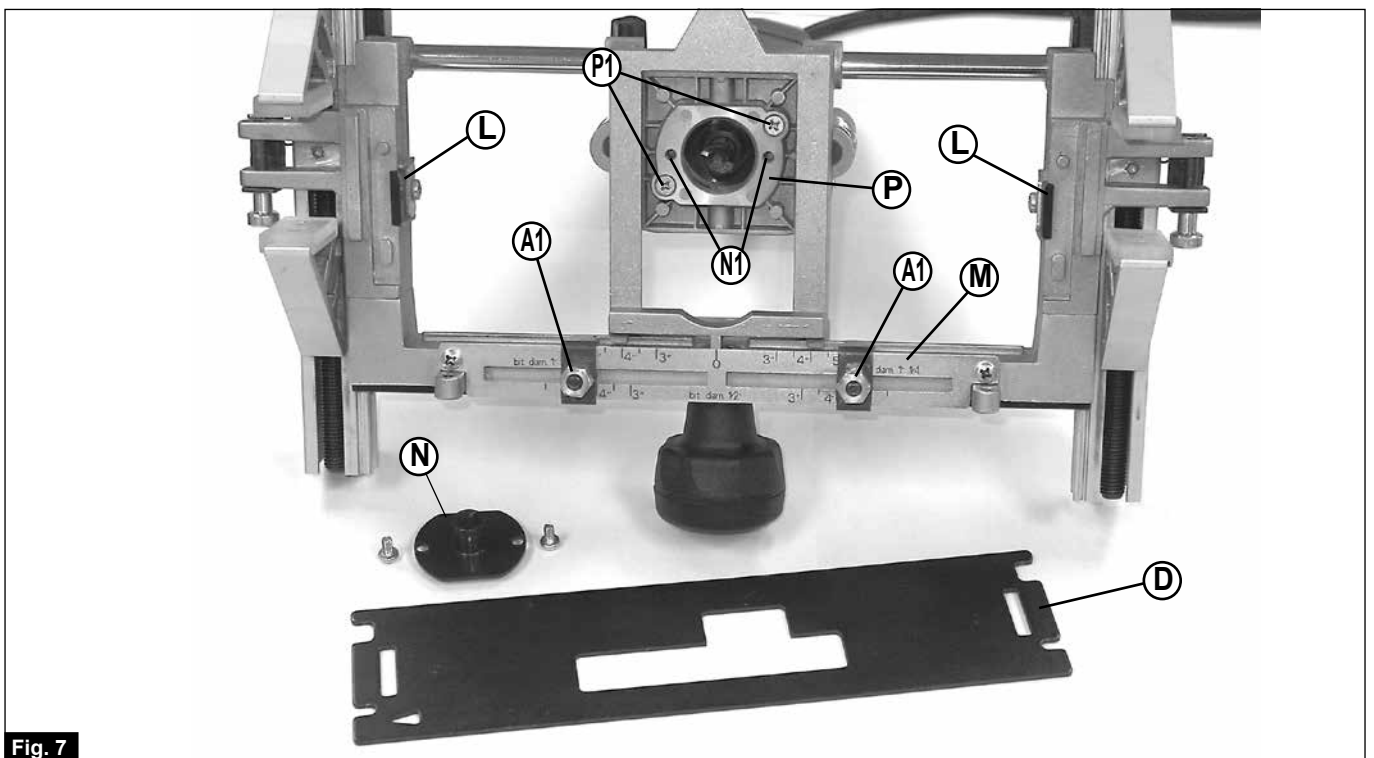
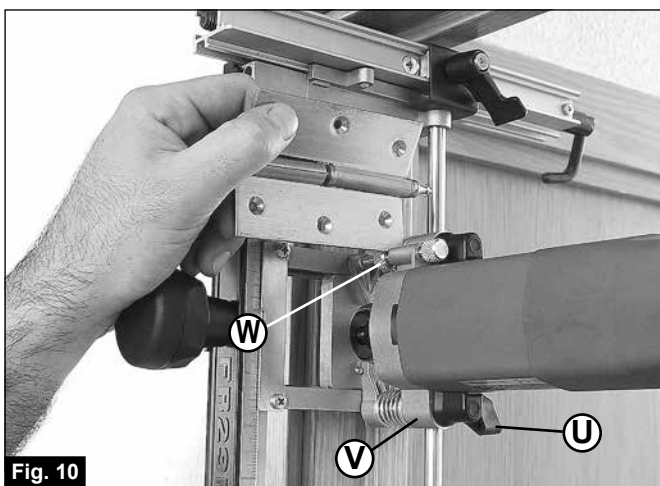
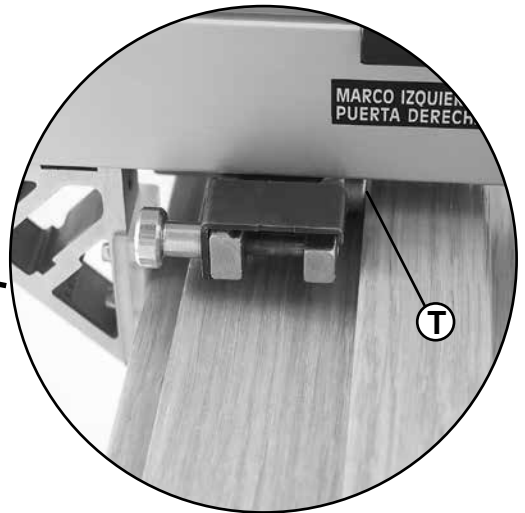
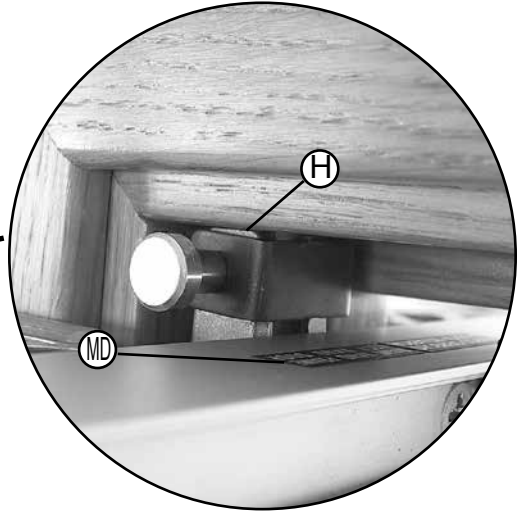
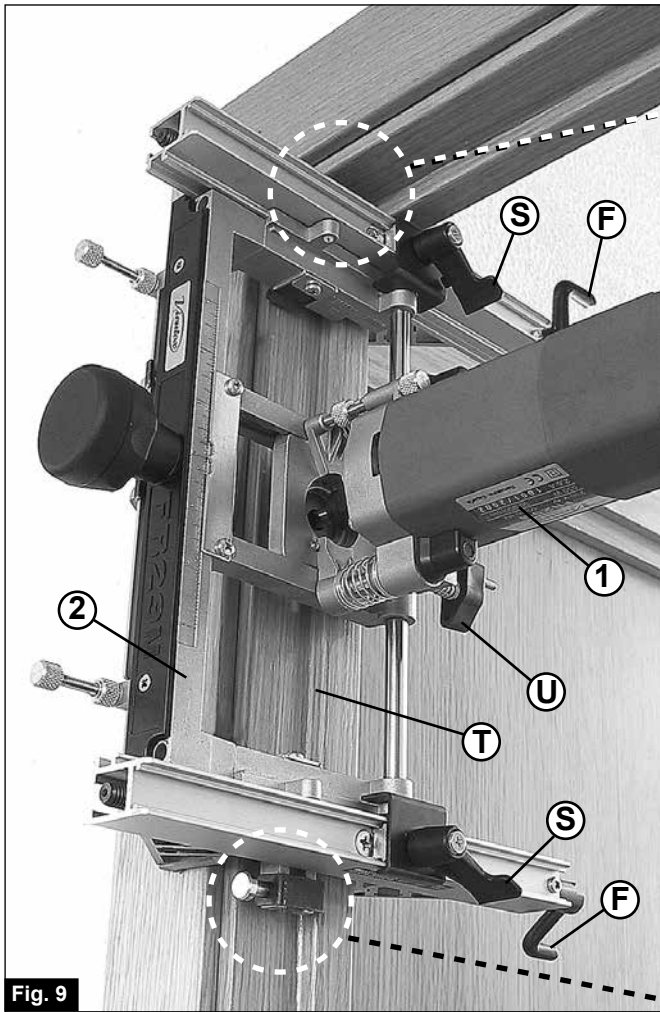
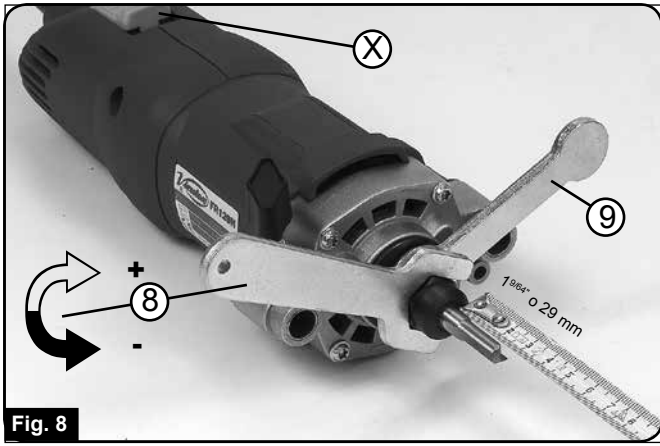


Fig. 7



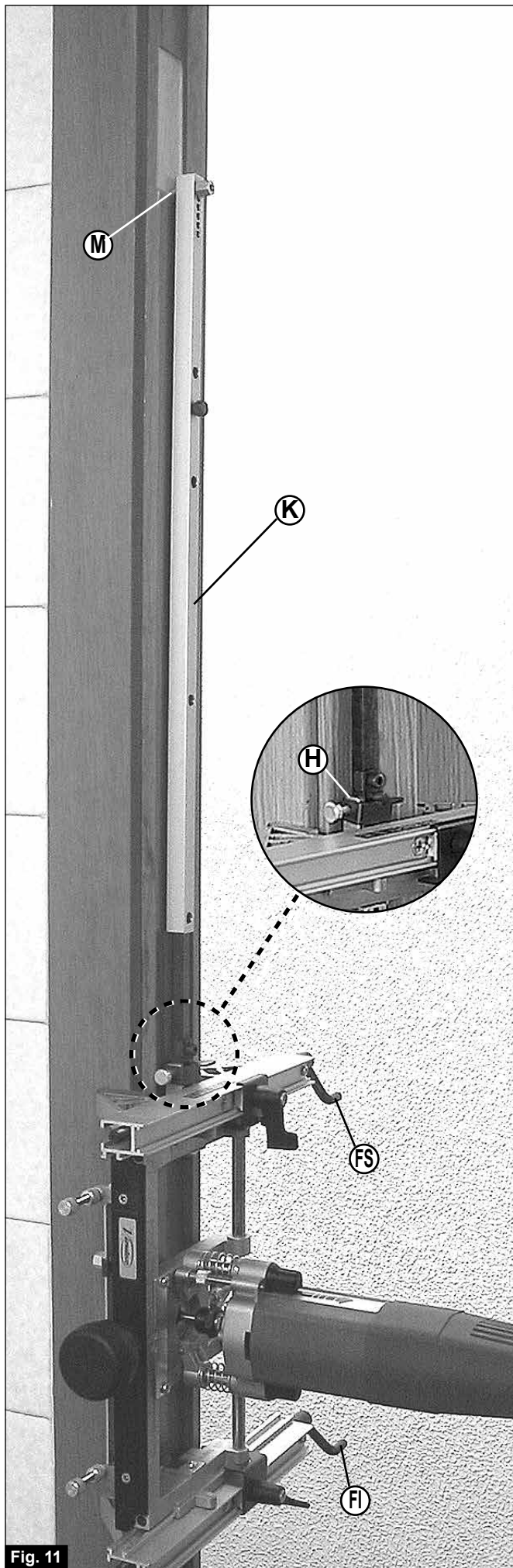


Fig. 11

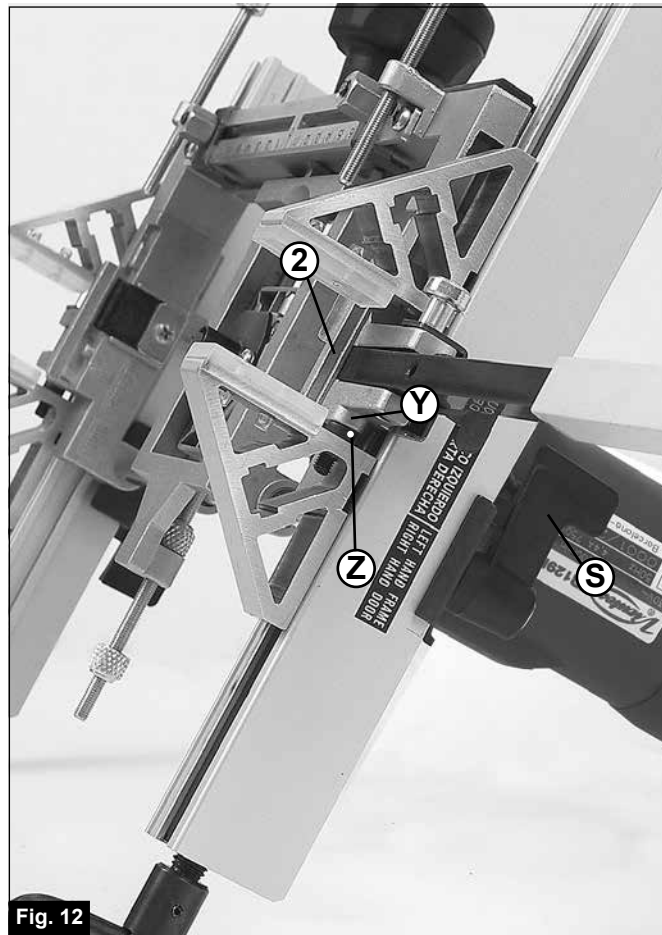


Fig. 12

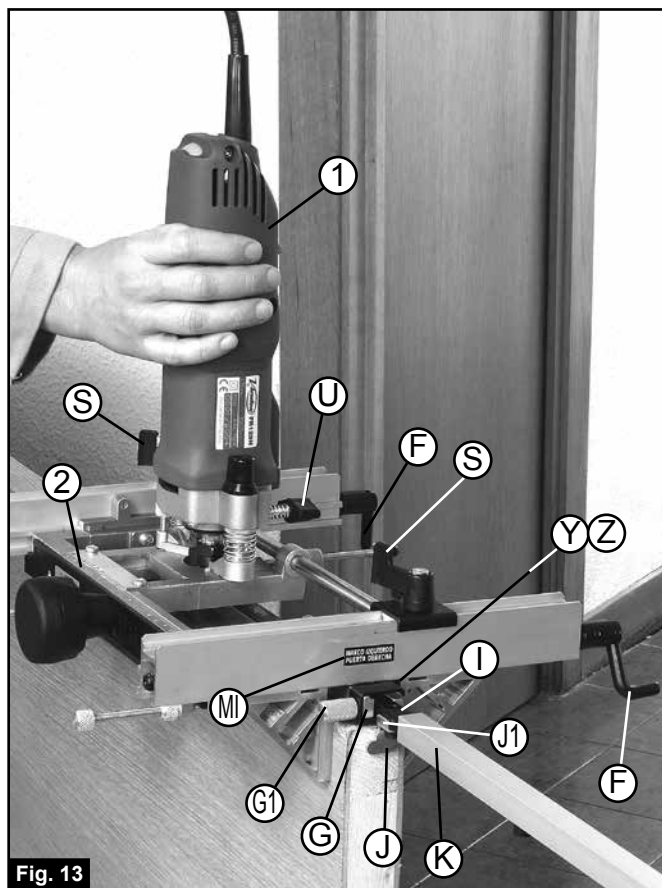
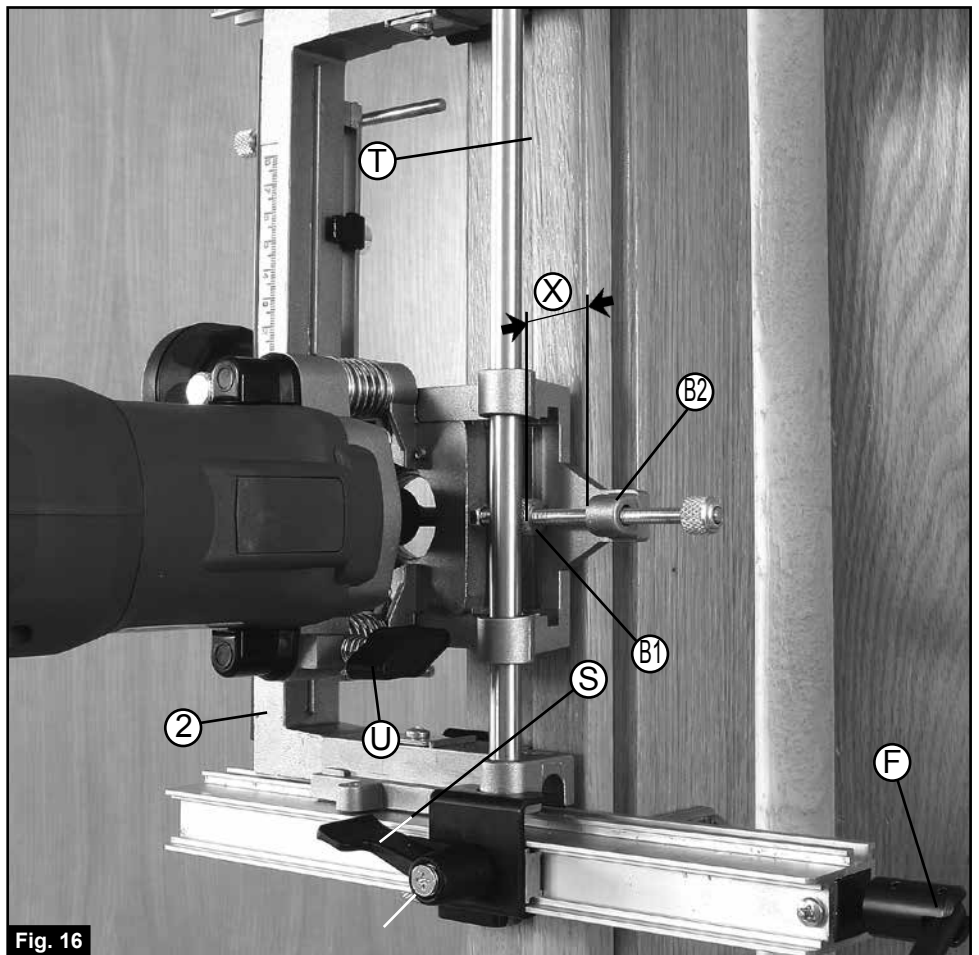
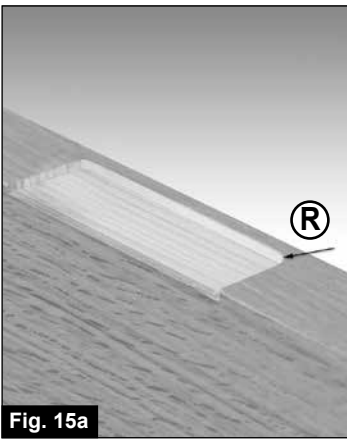
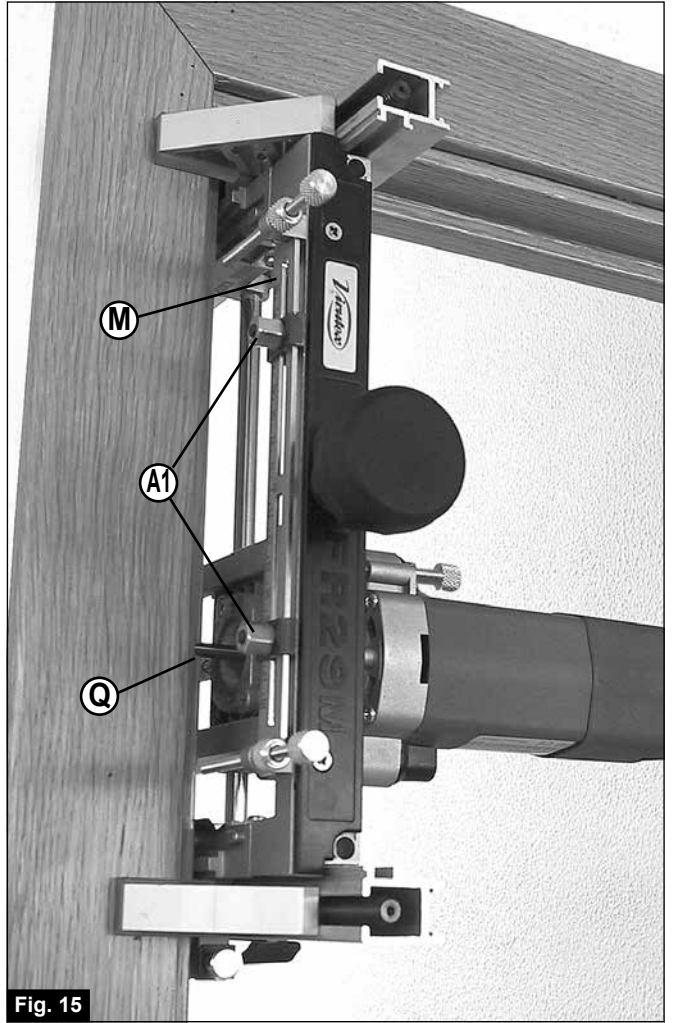
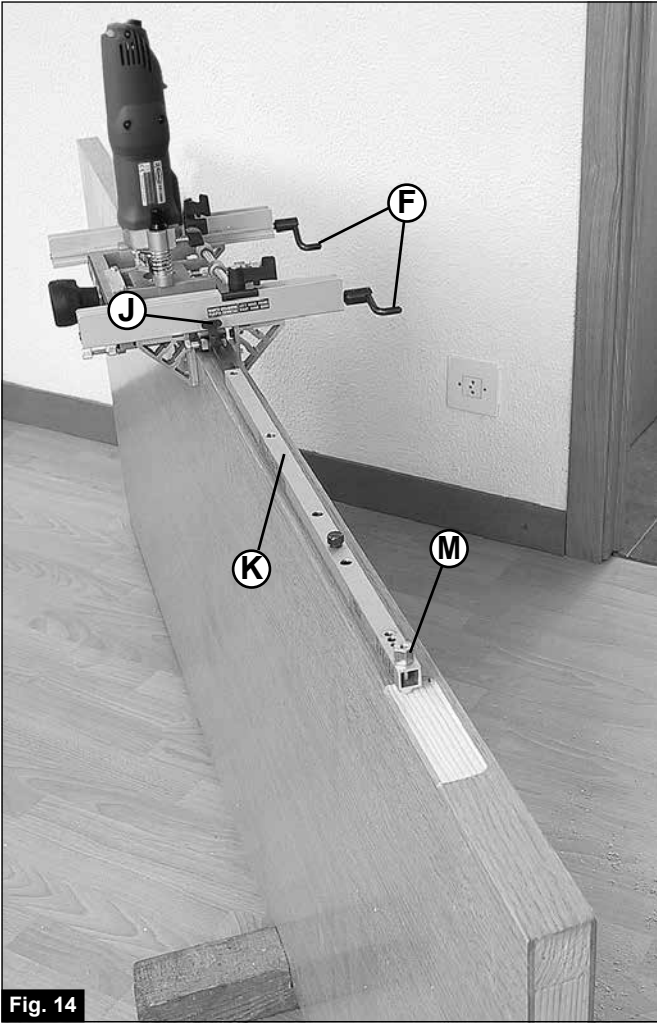


Fig. 13



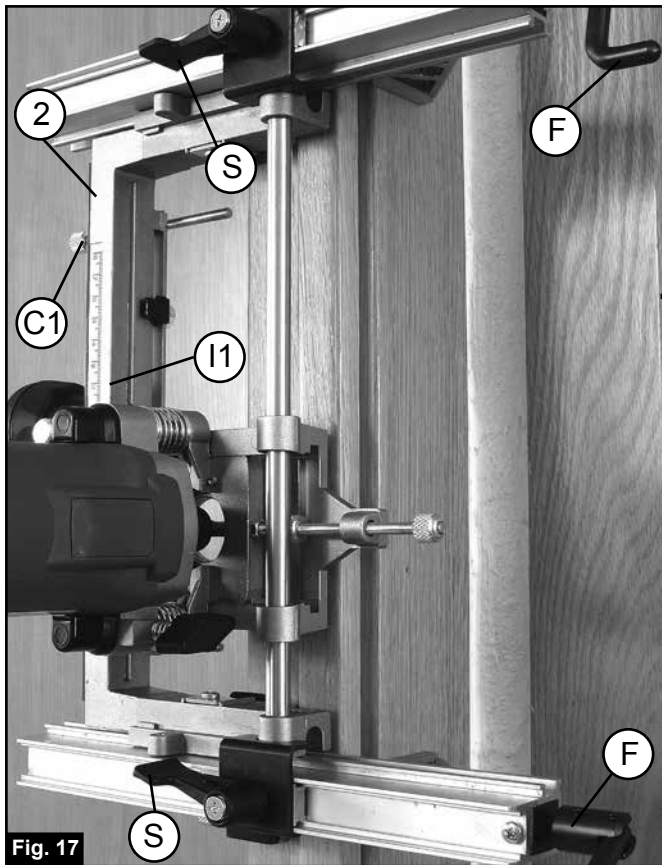


Fig. 17

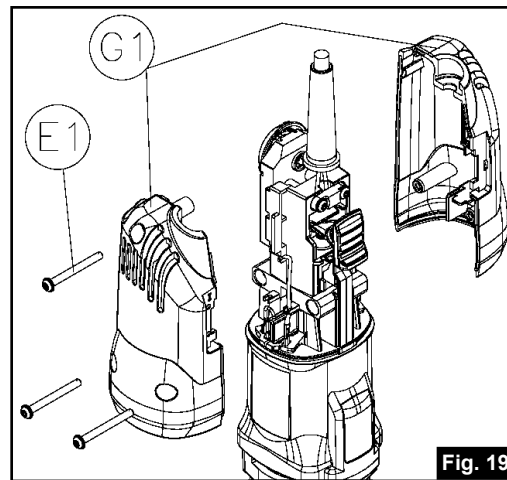
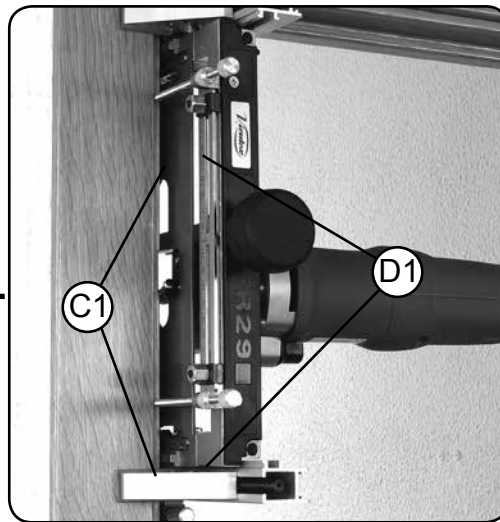


Fig. 19

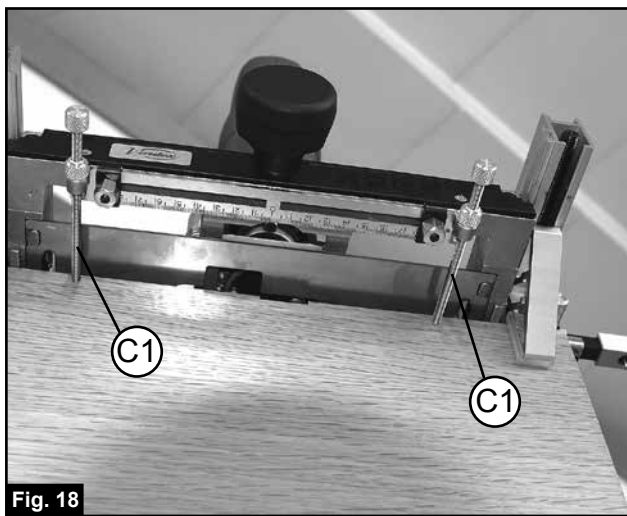


Fig. 18

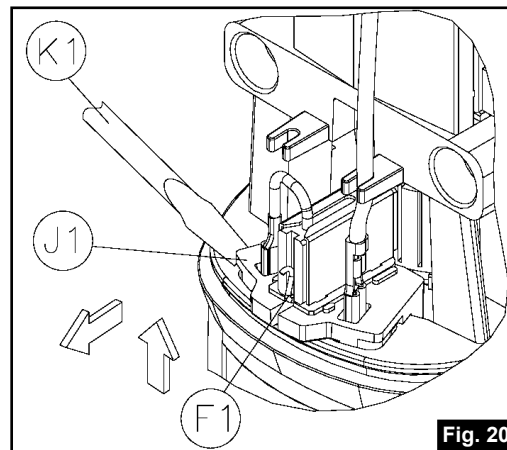


Fig. 20

Fig. 21

Ø BIT Ø FRESA	Ø SHANK Ø CAÑA	Ø EXT.TEMPL.GUIDE Ø EXT.GUIA PLANT.	TEMPL.GUIDE GUIA PLANTILLA	HSS BIT FRESA A.R.	TCT BIT FRESA M.D.
6	8	10	2950104	1130055	1140055
7.6	8	12	2950105	1130059	1140059
8	8	12	2950105	1130056	1140056
10	8	14	2950106	1130057	1140057
12	8	16	2950107	1130058	1140058
1/2"	1/4"	16	2950107		2940170
1" 1/4	1/4"				2945499
14	8	18	2950081		1240026
16	8	20	2950108		1240028



<http://www.virutex.es/registre>



Acceda a toda la información técnica.
Access to all technical information.
Accès à toute l'information technique.
Zugang zu allen technischen Daten.
Accedere a tutte le informazioni tecniche.
Aceso a todas as informações técnicas.
Dostęp do wszystkich informacji technicznych.
Доступ ко всей технической информации.



2996805 072016

Virutex[®]

Virutex, S.A.
Antoni Capmany, 1
08028 Barcelona (Spain)

www.virutex.es