

OPERATING INSTRUCTIONS
MANUAL DE INSTRUCCIONES
MODE D' EMPLOI

Virutex[®]



Machine manufactured under UL standards

TM33W



Tiltable mitre saw
Tronzadora abatible
Scie à onglet inclinable



ENGLISH	TM33W-TS33W Tilttable mitre saw	2
ESPAÑOL	Tronzadora abatible TM33W-TS33W	8
FRANÇAIS	Scie à onglet inclinable TM33W-TS33W	14

Machine manufactured under UL standards

ENGLISH

TILTTABLE MITRE SAW TM33W-TS33W



Important note





Before using the machine carefully read the **GENERAL SAFETY INSTRUCTIONS LEAFLET**, which is included in the machine documentation. Keep the leaflet safely along with this **INSTRUCTION MANUAL** for possible future consultations.

SYMBOLS

The following symbols can be important for the operation of your power tool. Please memorise the symbols and their meanings. The correct interpretation of the symbols helps you operate the power tool better and more secure.

Symbol	Meaning
	Do not direct the laser beam at persons or animals and do not stare into the laser beam yourself, not even from a distance. This power tool produces class 3 laser radiation according to EN60825-1. This radiation can lead to persons being blinded.
	Laser output hole

Symbol	Meaning
	Only for European Union countries: Do not dispose of power tools into household waste! According the European directive 2002/96/EC for waste electrical and electronic equipment and its implementation into national laws, power tools that are no longer usable must be collected separately and disposed of in an environmentally correct manner.
	Wear safety goggles.
	Wear ear protectors. Exposure to noise can cause hearing loss.
	Wear a dust protection mask.
	Danger area! Keep hands, fingers or arms away from this area.
	Symbol for use of the mitre saw as a chop and mitre saw.



Ensure that the saw blade is totally covered by the protectors when not in use. Always keep the protectors in good condition.

The machine's safety devices will automatically switch it off if the upper guard is removed or improperly placed on the upper table when used in mitre saw mode. Make sure that the safety drive pin Z7 (Fig. 31) is entered correctly in its housing. Similarly, the machine will not start without the correct placement of the lower cowl when operating in table saw mode. The cowl safety pin Z6 (Fig. 25) must be correctly entered in its housing.

3.3 PROTECTION AGAINST ACCIDENTAL STARTING RESULTING FROM CUT OFF OF ELECTRICITY

This interrupts the circuit and prevents the machine from being accidentally switched on when power is restored, even though the locking switch may still be on. To restart the machine, press the start switch.

3.4 PROTECTION AGAINST SHORT CIRCUITS

The machine's circuit includes a T1 fuse (Fig. 1) which protects it from short-circuiting and overloading. The fuse is located on the machine handle. Should it have to be replaced, unscrew the lid of the fuse box and remove the burnt-out fuse. Replace it with another one of the same type (6.3x32 15A).

4. UNPACKING THE MACHINE

Contained in the case you will find the following elements:

- Tilttable mitre saw TM33W
- 8 mm size Allen key
- 5 mm size Allen key
- 2.5 mm size Allen key
- Lower protector
- Wood regulation stop equipment
- Pusher
- Instruction manual and parts sheets
- General safety instruction leaflet
- Other documentation

5. PREPARING YOUR MACHINE



Ensure that the machine is disconnected from the mains before carrying out any preparation or maintenance work on the machine.

5.1 INSTALLATION

Once you have unpacked the machine, fasten its handle to the swinging arm as shown in the diagram on the attached label. When using the machine in a fixed location we recommend that it be secured to a table or workbench at a height of approximately 90 cm using the holes C located in the base (Fig. 2). To facilitate your work, we recommend using our MOVABLE WORKING TABLE MT58K (ref 5800100) (Fig. 40).

The machine is designed exclusively for interior working and as such should not be exposed to rain or humid environments.

5.2 HANDLE

Place the handle of the machine in working position by releasing the knob A (Fig. 1). Rotate the handle to the top position and tighten knob A.

5.3 UNLOCKING THE HEAD

Lightly press the handle in the direction of the cut and turn the transport locking catch M2 (Fig. 6) clockwise until it reaches the stop, then follow the machine as it moves up to until it is locked in resting position.

5.4 CHECKS

Before connecting to the mains ensure that the protectors and safety mechanisms on the machine are working correctly and check that the voltage corresponds to that shown on the characteristics plate.

If an extension cable is being used check that the cross section of the wires are suitable for the nominal current of the machine.

6. ADJUSTING THE MACHINE



Ensure that the machine is disconnected from the mains before carrying out any adjustments.

The mitre saw leaves the factory adjusted; however further adjustments can be made with the mechanisms described below.

6.1 ADJUSTING THE TILTING HEAD

To adjust the saw blade to 90° with respect to the machine table, place a square between the two and proceed as follows: Release the handle D (Fig. 2) and correct any deviation using screw E. The head can also be adjusted to 45° with respect to the table by turning screw F (Fig. 2).

6.2 ADJUSTING THE REVOLVING PLATE

The machine is equipped with an automatic lock at 0°, 15°, 22.5°, 30° and 45° so that these positions should only rarely need adjustment. If this is necessary, lock the machine at 0° and release screws G which hold in place rule H; move the rule until it is perpendicular to the saw (Fig. 10).

6.3 ADJUSTING THE MAXIMUM CUTTING DEPTH

The maximum cutting depth is determined by the adjusting screw I (Fig. 2). This should be readjusted every time the saw blade is changed or sharpened.



- Check that the saw is not touching the bottom of the plate once the maximum depth has been adjusted.
- Change the cover on the plate when it is worn or broken.

6.4 CHANGING THE DIVIDER KNIFE

The machine is equipped with two types of divider knife, the main one supporting the upper table guard and the antikickback or ratchet and a low profile divider knife for cutting grooves or recesses to be used on an occasional basis (Fig. 27 and 28).



After cutting a groove or recess, replace the main divider knife on the machine table.

Use the service key Z2 (Fig. 26) to change the divider knife by inserting it through the guide holes in the side guard, then loosen the screws holding the divider knife and remove it by sliding it upward. Next, place the second divider knife by sliding it through the machine's centering guide Z3 (Fig. 30) and tighten the two screws, making sure it is perfectly placed.

6.5 ADJUSTING THE MAXIMUM RAISED POSITION

To adjust the maximum raised position turn screw Y (Fig. 2) remembering that the machine locks into resting position.

6.6 LASER GUIDE

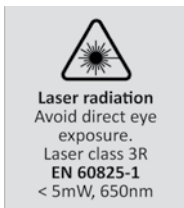
The machine is fitted with a laser guide that works in conjunction with the saw blade, projecting a light beam onto the material to be cut, indicating the line for the saw blade with great precision. Match the light beam up with the line previously drawn for cutting. The laser guide has an inertia switch, so it is only activated when the saw blade is turning.



The laser guide also includes an On/off switch T1 (Fig. 22) to activate or deactivate it. The switch must be turned to 'Off' for cutting on the upper table.

The electric tool is supplied as standard with a warning sign in Spanish R (Fig. 18).

Before starting for the first time, stick the attached label written in your language over the warning sign.



6.7 SPEED ADJUSTMENT 1,800-3,150 rpm

The electronic speed control allows to adjust the motor speed depending the cutting dimension and the hardness of the material to achieve a better finishing and to increase the machine's performance. The electronic torque control assures a constant speed even under load. To increase or decrease

the speed just turn the adjusting button R1 (Fig. 6) to the right or to the left depending the work to be done. There are 6 reference numbers to facilitate the speed adjustment. In the diagram below are indicated the different positions of the electronic speed adjustment. It is also possible to check the same diagram on the machine.

R.P.M			
1	1,800	4	2,600
2	2,100	5	2,850
3	2,400	6	3,150

To adjust the speed take into account the recommendations of the saw blade manufacturer. It is not necessary to switch off the machine to adjust the speed.

6.8 PLACEMENT OF THE ANTIKICKBACK

The machine is equipped with a antikickback or ratchet that prevents the cut piece from being expelled toward the operator in operations with the upper table. To place the antikickback, support the spring bridge Z4 (Fig. 34) on the dividing knife and then enter the mechanism through the centering groove, tightening the entire assembly using the knob Z5

7. APPLICATIONS OF MITERING, INTENDED CONDITIONS OF USE

This machine enables you to cut pieces of wood, plastic and aluminium angles efficiently and precisely.

The rule on the machine is grooved which allows you to quickly position a wood R2 support to prevent any splintering of the material being cut (Fig. 18). Use of the knobs is strongly recommended when cutting fragile or thin materials.



It is essential to use clamps (see section 10) for cutting aluminium angles, plastic or long pieces (Fig. 20).

Do not start any cut until the blade has reached its full speed of rotation.

7.1 CUTTING AT 0° x 0°

Continue as shown in (Fig. 18), making the cut with the assistance of the laser guide. The wood support stop is fitted with a millimeter ruler S1 (Fig. 19) to facilitate the cutting operation. The ruler marks the excess length to be cut.

7.2 CUTTING AT 0° x 45°

Release handle D (Fig. 2), lower the head to the 45° stop or any other intermediate angle as required, using the angle indicator Z1 (Fig. 15); and tighten handle D in the selected position.

7.3 CUTTING AT 45° x 0°

Press down lever E2 (Fig. 5) and turn the plate towards the

left or right until the index marks 45° or any of the standard positions (15°, 22°30', 30°, 45°).

Should you wish to make a cut that does not match any of the plate's standard positions, push down lever E2 (Fig. 3) and then push it towards trigger E3 (Fig. 3). This will unlock the plate, enabling you to regulate the exact angle you require. Then lock the plate using knobs K (Fig. 3).

7.4 CUTTING AT 45° x 45°

Press down lever E2 (Fig. 4) and turn the plate towards the left until it locks into place at 45°. Loosen handle D and lower the head to the stop at 45° or the intermediate angle you wish. Lock it in place once again (Fig. 4).

The machine also enables you to tilt the head to any position on the plate (only by turning it to the left).



Ensure that the moving arm is well secured in position when mitering.

7.5 SPECIAL CUTS 200 x 25 mm

In the 0°x0° position this machine can make cuts up to 200 x 25 mm. For these cuts must be placed on the lower table to do this, just fit supplements N2 (Fig.16) ref. 3346388 supplements for 200 mm cuts (optional accessory) to the bottom table and then the cut can be made as normal. This is possible due to the retractable saw protector R (Fig. 16) which retracts as the cut is made.

7.6 MULTIPLE CUTS

To make multiple cuts the length stop A1 must be installed and regulated to the required measurement (Fig. 5)

8. CUTS ON THE UPPER TABLE



The laser guide also includes an On/Off switch T1 (Fig. 22) to activate or deactivate it. The switch must be turned to 'Off' for cutting on the upper table.



On the upper table only plastics and wood can be cut, never aluminium or angles.

To use the machine in this cutting mode the lower cover K1 (Fig. 6) should be positioned on the machine which prevents any accidental contact of the saw disc under the table. Next, lock the machine in the transport position through axis M2 (Fig. 6), checking that the cowling is perfectly housed and immobilised. Release knob A and lower the handle (Fig. 8), ensuring that the cowling wedge Z6 is perfectly entered through the lower part of the handle (Fig. 25).

Release knob L, withdraw the upper aluminium angle which covers the blade protector and use it as a lateral cutting guide, locking it again at the required distance from the saw (Fig. 11), this protector has a side slot that includes

two nuts E4 (Fig. 11) designed to lock the wooden fillet that extends up to the vertical axis of the centre of the saw blade. Placing this wooden fillet (Fig. 17) is necessary when making short cuts (dowels or stocks). This is because in this type of cutting, when the cut piece is ejected from the centre of the leaf, if it lacks space in coming out, the turning of the blade, which could cause the accidental expulsion of the part, will retain it.

The exit position of the saw with respect to the table is regulated by releasing knobs M (Fig. 1) and placing the table at the required cutting height, using the height adjustment knob M2, ensuring that the blade overhangs the material to be cut only at the level of the tooth, tighten up the knobs at the selected height.

Lock button E1 in place for cutting with a raised table (Fig. 8). Once the cutting work on the table is finished replace the aluminium angle in the protection position before using the machine as a mitre saw again.



As a safety measure, the machine will not start in the absence of the cowling or its faulty positioning.

Use push stick E5 supplied with this machine to feed in the part to the saw blade (Fig. 21). The machine is equipped on one of the sides of the upper table with two fastening supports with which to attach the E5 thrust rod during transport.

Use the upper protector of the upper blade correctly.

Ensure that the tilting arm is well secured in position when working on the upper table.

Immediately fit the main divider knife with the guard after finishing work with the low profile divider knife.

Always keep the antikickback teeth well sharpened

Place the upper guard after finishing cutting work with the upper table, the machine will not operate in mitre saw mode without the upper guard correctly in place, ensuring that the wedge Z7 is entered into its socket (Fig. 31).

9. DUST COLLECTION OUTLET

On the rear of this machine there is a Ø 38 mm dust collection outlet, where it is possible to connect up a flexible tube, adapting an industrial aspirator or any system of centralised aspiration for collecting dust and shavings. We recommend connection to our aspirators AS182K, AS282K.

For work on the upper table, and in addition to the connection mentioned above, the fairing is provided with a nozzle D2 (Fig. 6) to which the standard dust collector attachment (Ref. 6446073 3.5 m / Ref. 1746245 5 m) must be connected for perfect collection of the shavings.

We recommend you keep the machine permanently connected to a dust and shavings collection system.

10. OPTIONAL ACCESSORIES

Ref. 3345416 Set of two pressers (Fig. 20). It is indispensable for cutting aluminium and plastic profiles.

Ref. 3345470 Set of side handles (Fig. 19)
Ref. 7246098 Square for upper table
Ref. 5800100 Movable working table MT58K (Fig. 40)
Ref. 8200100 Aspirator AS182K
Ref. 8200200 Aspirator AS282K

11. MAINTENANCE AND CLEANING



Ensure that the machine is disconnected from the mains before carrying out any of these operations.

11.1 CHANGING THE SAW BLADE

Loosen the knobs M (Fig. 1) and raise the table to its maximum position, remove the main divider knife and the side guard cover through the screws Z8 (Fig. 32 and 33).

Then, press button O and slowly turn the saw until it is locked (Fig. 1). Next, release screw P (Fig. 12) clockwise using the service key supplied. Once the saw blade is released move it upwards and then remove it down through the side of the head of the machine, avoiding the protector.

Do the reverse of this operation to insert the new saw blade, positioning the arrow on the blade in the same direction as that on the tilting protector, checking that the element seatings are perfectly clean and ensuring that the external securing disc laser fits perfectly into the recess at the end of the shaft.

Once the disc has been mounted, move it gently until the locking button has been released.



- **Ensure that the replacement saw blade has the same diameter than the old one.**
- **Do not use damaged or deformed saw blades.**
- **Select the correct saw blade for the type of material to be cut.**
- **Only use the saw blades which comply with the conditions contained in this manual and in every case ensure that the body of the saw blade is thinner than the thickness of the rising knife and at the same time the teeth are wider than this thickness.**

11.2 CHANGING THE BELTS

To change the belts on the machine proceed as follows:

- Release screws S (Fig. 13) and remove the transmission cap.
 - Remove the broken or worn belts and replace them with new ones, remembering that the inner belt must always be fitted first, so that the rear pulley equipment will be fitted on the tilting arm on the machine (Fig. 13). Next, the outer belt is fitted, ensuring that it is correctly engaged in the pulleys, and using the service key also used for changing the saw, slowly turn the axle while pushing the transmission cap towards the tilting arm. It is important to ensure that centering pivots T are gently inserted into their positions.
- NOTE: The operation of assembling the transmission cap with the tilting arm must be carried out manually without ever

hitting or forcing any of the parts, as in this circumstance the machine cannot be guaranteed to work correctly.

11.4 MOTOR BRAKE

The machine is equipped with a mechanical, centrifugal brake which ensures that the time between release of the switch pushbutton and complete stopping of the saw blade is less than ten seconds.

For your safety, and owing to the complexity of the operation, we recommend that, if due to wear of the brake linings the time to stop the saw blade is observed to exceed the above mentioned value, the machine should be taken to an Official VIRUTEX technical service centre for changing of the brake linings.

11.5 REPLACING THE BATTERIES FOR THE LASER GUIDE

Once the laser guide batteries are dead, replace them with new ones in the following way: loosen the screws R1 (Fig. 23), remove the battery compartment cover, remove the dead batteries and replace them with new ones. Proceed in reverse to reassemble, taking into account that the positive pole of the batteries should be on the outer side of the compartment (Fig. 35).



**Use LR44 type batteries only.
Do not use rechargeable batteries.**

11.6 LUBRICATION AND CLEANING

The machine has been delivered fully lubricated from the factory and should not require any special care during its working life. It is sufficient to periodically clean and grease the mechanical articulations with oil.

It is important to always carefully clean the machine after each use using compressed air.

Keep the electrical cable in perfect condition.

12. NOISE AND VIBRATION LEVEL

The noise and vibration levels of this device have been measured in accordance with European standard EN 61029-1 and EN 61029-2-11 (TM33W) and EN 61029-2-9 (TS33W) and serve as a basis for comparison with other machines with similar applications.

The indicated vibration level has been determined for the device's main applications and may be used as an initial value for evaluating the risk presented by exposure to vibrations. However, vibrations may reach levels that are quite different from the declared value under other application conditions, with other tools or with insufficient maintenance of the electrical device or its accessories, reaching a much higher value as a result of the work cycle or the manner in which the electrical device is used.

Therefore, it is necessary to establish safety measures to protect the user from the effects of vibrations, such as maintaining both the device and its tools in perfect condition and organising the duration of work cycles (such as

operating times when the machine is subjected to loads, and operating times when working with no-load, in effect, not in use, as reducing the latter may have a considerable effect upon the overall exposure value).

13. GUARANTEE

All of VIRUTEX machines are guaranteed for 12 months from the date of supply, excluding any damage which is a result of incorrect use or of natural wear and tear of the machine. All repairs should be carried out by an official VIRUTEX technical assistance service.

14. RECYCLING ELECTRICAL EQUIPMENT

Never dispose of electrical equipment with domestic waste. Recycle equipment, accessories and packaging in ways that minimise any adverse effect on the environment. Comply with the current regulations in your country. Applicable in the European Union and in European countries with selective waste collection systems: If this symbol appears on the product or in the accompanying information, at the end of the product's useful life it must not be disposed of with other domestic waste.



In accordance with European Directive 2002/96/EC, users may contact the establishment where they purchased the product or the relevant local authority to find out where and how they can take the product for environmentally friendly and safe recycling.

Due to continuous improvement and updating of its products, VIRUTEX reserves the right to modify its products without prior notice.

ESPAÑOL

TRONZADORA ABATIBLE TM33W-TS33W

Nota importante



Antes de utilizar la máquina lea atentamente el **FOLLETO DE INSTRUCCIONES GENERALES DE SEGURIDAD** que se adjunta con la documentación de la misma. Conservar adecuadamente el **FOLLETO** indicado y el presente **MANUAL DE INSTRUCCIONES** para posibles consultas posteriores.

SÍMBOLOS

Los símbolos mostrados a continuación pueden ser de

importancia en el uso de la herramienta eléctrica. Es importante que retenga en su memoria estos símbolos y su significado. La interpretación correcta de estos símbolos le ayudará a manejar mejor, y de forma más segura, la herramienta eléctrica.

Simbología	Significado
	No oriente el rayo láser contra personas ni animales, ni mire directamente hacia el rayo láser. Esta herramienta eléctrica genera radiación láser de la clase 3 según EN60825-1. Esta radiación puede cegar a las personas.
	Orificio de salida del láser
	Sólo para los países de la UE: ¡No arroje las herramientas eléctricas a la basura! Conforme a la Directiva Europea 2002/96/CE sobre aparatos eléctricos y electrónicos inservibles, tras su transposición en ley nacional, deberán acumularse por separado las herramientas eléctricas para ser sometidas a un reciclaje ecológico.
	Utilice gafas de protección.
	Utilice protectores auditivos. El ruido intenso puede provocar sordera.
	Utilice mascarilla antipolvo.
	¡Área de peligro! Mantenga alejados de este área las manos, dedos o brazos.
	Símbolo para indicar el uso de la tronza-dora como ingletadora.
	Símbolo para indicar el uso de la tronza-dora como sierra circular de mesa.

ESTABILIDAD DE LA SIERRA

La sierra de mesa DEBE ESTAR ATORNILLADA firmemente a una base o banco de trabajo. Además, si la sierra de mesa tiende a inclinarse o moverse durante ciertas operaciones tales como el corte de tablas largas y pesadas, utilice un soporte auxiliar.

UBICACION

Utilice la sierra de mesa en un área bien iluminada sobre una superficie nivelada, suficientemente limpia y lisa para reducir el riesgo de tropezones y caídas. Utilícela donde ni el operador ni el observador casual se vean forzados a situarse en línea con la hoja.

RETROCESO

El retroceso puede causar lesiones graves.

Se produce retroceso cuando una parte de la pieza de trabajo se atasca entre la hoja de la sierra y el tope guía para cortar al hilo u otro objeto fijo. El que la pieza de trabajo se atasque en la hoja debido a una mala alineación también puede causar retroceso. Durante el retroceso, la pieza de trabajo se eleva respecto a la mesa y sale despedida hacia el operador. Mantenga la cara y el cuerpo a un lado de la hoja de sierra, fuera de línea con un posible retroceso.

LOS RETROCESOS Y LAS POSIBLES LESIONES NORMALMENTE SE PUEDEN EVITAR:

Manteniendo el tope-guía para cortar al hilo paralelo a la hoja de sierra.

Manteniendo afilada la hoja de sierra.

Cambiando o afilando los trinquetes antirretroceso cuando las puntas se desafíen.

Manteniendo el protector de la hoja de sierra, el separador y los trinquetes antirretroceso en su sitio y funcionando adecuadamente.

El cuchillo divisor debe estar alineada con la hoja de sierra y los trinquetes deben detener el retroceso una vez que éste haya comenzado. Compruebe el funcionamiento de éstos antes de cortar al hilo.

No cortando al hilo una pieza de trabajo que esté torcida o combada o que no tenga una regla recta para guiar a lo largo del tope guía para cortar al hilo.

No soltando la pieza de trabajo hasta que haya sido empujada hasta pasar completamente la hoja de sierra.

Al cortar al hilo, aplique la fuerza de avance a la sección de la pieza de trabajo entre la hoja de sierra y el tope-guía para cortar al hilo. Utilice el empujador o un bloque de empujar cuando sea adecuado

OBSERVE Y SIGA LAS INSTRUCCIONES DE SEGURIDAD QUE APARECEN EN LA PARTE DELANTERA DE LA SIERRA DE MESA

Dispositivo antirretroceso

En caso de retroceso, el dispositivo antirretroceso (que se conoce también como retenedores o trinquetes) está diseñado para ayudar a evitar que la tabla sea lanzada en dirección al usuario. Los dientes afilados de los trinquetes están diseñados para "atrapar" el material en caso de retroceso.

1. CARACTERÍSTICAS TÉCNICAS

Potencia absorbida.....	15A
Motor.....	50/60 Hz
Revoluciones en vacío.....	1.800-3.150 rpm
Tipo láser.....	.650 nm <5 mW

Clase láser.....3 R

Dimensiones disco de sierra:

diámetro exterior.....300 mm/12"

diámetro interior.....1"

Plato giratorio:

Orientable a derecha e izquierda hasta 45° con enclave fijo a: 0°- 15°- 22,5°- 30° y 45°.

Cabezal basculante:

Abatible desde 90° a 45° respecto a la base y en cualquier posición de giro del plato desde 0° hasta 45° en sentido izquierdo del mismo.

Peso.....22 Kg

Dimensiones embalaje.....590x580x450 mm

Nivel de Presión acústica Ponderado A.....96 dBA

Nivel de Potencia acústica Ponderada A.....107 dBA

Incertidumbre de la medición.....K = 3 dBA



¡Usar protectores auditivos!

Nivel total de emisión de vibraciones.....a_h: 3 m/s²

Incertidumbre de la medición.....K: 1,5 m/s²

2. CAPACIDADES MÁXIMAS DE CORTE

-Corte a 0° x 0° (Fig. 36).....160x95 mm

(con suplemento de 36 mm).....200x25 mm

-Corte a 0° x 45° (Fig. 37).....160x64 mm

-Corte a 45° x 0° (Fig. 38).....110x95 mm

-Corte a 45° x 45° (Fig. 39).....75x64 mm

-Corte sobre la mesa superior.....máx. 55 mm

3. ELEMENTOS DE SEGURIDAD

3.1 INTERRUPTOR

La máquina dispone de un interruptor pulsador situado en la empuñadura y un pulsador de enclavamiento para el trabajo con mesa superior.

Para el trabajo de tronzado presionar sobre el botón de puesta en marcha del interruptor a la vez que accionamos la palanca B1 (Fig. 1) de modo que al cesar la presión sobre esta la máquina se para automáticamente. Este dispositivo de seguridad permite no tener que estar presionando sobre el botón del interruptor mientras se realiza la operación de tronzado y de este modo realizar mas cómodamente dicha operación.

Para el trabajo de corte con mesa superior enclavar el pulsador E1 (Fig. 8) y actuar sobre los botones de paro marcha del interruptor. El pulsador se desclavará automáticamente al llevar la máquina a su posición de tronzado.

La empuñadura va provista de un seguro de bloqueo en posición OFF para impedir la puesta en marcha de la máquina por personal no autorizado, para ello simplemente se debe introducir un candado por el orificio Z1 de la banderola de bloqueo (Fig. 24 y 8).

3.2 PROTECTORES MECÁNICOS

En la posición de reposo, la hoja de sierra queda totalmente recubierta por los protectores y la máquina bloqueada en esta posición. La palanca B1 (Fig. 1) permite el desbloqueo

de la máquina previo al descenso.



Asegúrese de que la hoja de sierra queda totalmente cubierta por los protectores en la posición de reposo de la máquina. Conserve siempre éstos en buen estado.

Los dispositivos de seguridad de la máquina desconectarán esta automáticamente si se retira el protector superior o bien se coloca de forma inadecuada sobre la mesa superior cuando se utiliza en modo de tronzado. Asegúrese de que la patilla de accionamiento Z7 (Fig. 31) del seguro se introduce correctamente en su alojamiento. Igualmente la máquina no se pondrá en marcha sin la correcta colocación del carenado inferior cuando se trabaje en modo de sierra de mesa. La patilla Z6 (Fig. 25) del seguro del carenado inferior deberá introducirse correctamente en su alojamiento.

3.3 PROTECCIÓN CONTRA PUESTAS EN MARCHA ACCIDENTALES POR CORTES DEL SUMINISTRO ELÉCTRICO

La máquina está provista de un dispositivo que en caso de caída de tensión o fallo del suministro eléctrico, interrumpe el circuito e impide la puesta en marcha accidental de la máquina cuando retorna la corriente, aunque el botón de enclave del pulsador se mantenga accionado.

Para la nueva puesta en marcha de la máquina presionar sobre el botón de marcha del interruptor.

3.4 PROTECCIÓN CONTRA CORTOCIRCUITOS

El circuito de la máquina incorpora un fusible T1 (Fig. 1) que la protege contra cortocircuitos y sobrecargas.

El fusible se encuentra en la empuñadura de la máquina. En caso de que fuese necesario sustituirlo por estar fuera de servicio, proceda a desenroscar el tapón del portafusible y extraiga el fusible deteriorado. Sustituyalo por otro del mismo calibre (6,3x32 15A).

4. DESEMBALAJE DE LA MÁQUINA

En el interior de la caja Ud. encontrará los elementos siguientes:

- Tronzadora abatible TM33W
- Llave allen e/c 8 mm.
- Llave allen e/c 5 mm
- Llave allen e/c 2,5 mm
- Carenado inferior
- Conjunto tope regulación madera
- Empujador madera
- Manual de Instrucciones y hojas de despiece.
- Folleto de instrucciones generales de seguridad
- Documentación diversa

5. PREPARACIÓN Y PUESTA A PUNTO



Asegúrese que la máquina está desconectada de la red eléctrica antes de realizar cualquier operación de preparación o mantenimiento de la misma.

5.1 INSTALACIÓN

Una vez desembalada la máquina, fijar su empuñadura al brazo basculante según el esquema de la etiqueta sujeta a la misma.

Para el empleo de la máquina en puesto fijo, recomendamos su fijación sobre una mesa o banco de trabajo, con una altura aproximada de 90 cm, mediante los agujeros C previstos en la base (Fig. 2). Se recomienda la utilización de nuestro accesorio MESA DE TRABAJO TRANSPORTABLE MT58K (Ref. 5800100) (Fig. 40). La máquina está prevista exclusivamente para trabajos en el interior por lo que no debe ser expuesta a la lluvia ni a los ambientes húmedos.

5.2 EMPUÑADURA

Para situar la empuñadura de la máquina en posición de trabajo, aflojar el pomo A (Fig. 1), bascular la empuñadura y volver a fijar el pomo A (la posición más baja está pensada para el corte con mesa superior).

5.3 DESBLOQUEO DEL CABEZAL

Presionar ligeramente sobre la empuñadura en el sentido de tronzado y girar el eje fijación transporte M2 (Fig. 6) en el sentido de las agujas del reloj hasta llevarlo a tope, a continuación acompañar la máquina en sus movimiento de elevación hasta su enclave en la posición de reposo.

5.4 COMPROBACIONES

Antes de conectar la máquina a la red, asegúrese del buen estado de funcionamiento de los protectores y mecanismos de seguridad.

Así mismo compruebe que la tensión y frecuencia de la red corresponden con lo indicado en la placa de características de la máquina.

En el caso de que se utilice un cable de prolongación, verifique que la sección de los conductores del mismo sea adecuada a la intensidad nominal de la máquina.

6. REGULACIONES



Asegúrese que la máquina está desconectada de la red eléctrica antes de realizar cualquier manipulación.

La tronzadora sale ajustada de fábrica, no obstante dispone de los mecanismos indicados a continuación para ulteriores reajustes.

6.1 AJUSTE DEL CABEZAL ABATIBLE

Para ajustar la hoja de sierra a 90° respecto a la mesa de la máquina, situar una escuadra de comprobación entre ambas y seguir el siguiente proceso:

Aflojar la maneta D (Fig. 2) y corregir por el tornillo E la posible desviación. Igualmente puede ajustarse el cabezal abatido a 45° respecto a la base, actuando en este caso sobre el tornillo F (Fig. 2).

6.2 AJUSTE DEL PLATO GIRATORIO

La máquina dispone de un enclave automático a 0°, 15°, 22.5°, 30° y 45° por lo que raramente deberá reajustarse en estas posiciones. En caso necesario enclavar la máquina a 0°, y aflojando los tornillos G que sujetan el regle H, desplazar éste hasta situarlo perfectamente perpendicular a la sierra (Fig. 10).

6.3 AJUSTE DE LA PROFUNDIDAD DE CORTE MÁXIMA

El tope de profundidad de corte viene dado por el tornillo regulable I (Fig. 2). Éste deberá reajustarse cada vez que se cambie el disco de sierra o se proceda a su afilado.



- Comprobar que la sierra no toque en el fondo del plato una vez ajustado el tope de bajada.
- Cambiar la tapeta del plato cuando esté deteriorada o rota.

6.4 CAMBIO DEL CUCHILLO DIVISOR

La máquina equipa dos tipos de cuchillo divisor, el principal que soporta la protección superior de la mesa y el antirretroceso o trinquete y un cuchillo divisor de perfil bajo para la realización de regatas o rebajos que se utilizará de modo ocasional (Fig. 27 y 28).



Después de la realización de una regata o rebajo, volver a colocar el cuchillo divisor principal sobre la mesa de la máquina.

Para el cambio del cuchillo divisor utilizar la llave de servicio Z2 (Fig. 26) introduciéndola por los agujeros guía de la protección lateral, posteriormente aflojar los tornillos que sujetan el cuchillo divisor y extraer este desplazándolo hacia arriba. Para colocar el segundo cuchillo divisor deslizarlo por la guía de centrado Z3 (Fig. 30) de la máquina y apretar los dos tornillos asegurándose de que queda perfectamente colocado.

6.5 AJUSTE DEL TOPE DE SUBIDA

Para ajustar el tope de subida actuaremos sobre el tornillo Y (Fig. 2), teniendo en cuenta que la máquina enclave en la posición de reposo.

6.6 GUÍA LASER

La máquina va provista de una guía láser solidaria al disco de sierra la cual proyecta un haz de luz sobre el material a cortar que indica con gran precisión la línea sobre la cual incidirá el disco de sierra. Haga coincidir el haz de luz con el trazo que haya realizado previamente al corte. La guía láser esta provista de un interruptor de inercia, por lo cual solo se activa al girar el disco de sierra.



La guía láser incorpora también un interruptor On/off T1 (Fig. 22) para activar o desactivar su funcionamiento. Es imprescindible poner el interruptor en la posición Off para el corte con mesa superior.

La herramienta eléctrica se suministra de serie con una señal de advertencia en español R (Fig. 18).

Antes de la primera puesta en marcha, pegue encima de la señal de aviso la etiqueta adjunta redactada en su idioma.



Radiación láser
Evitar exposición
directa de los ojos.
Láser clase 3R
EN 60825-1
< 5mW, 650nm

6.7 REGULACIÓN DE VELOCIDAD 1.800-3.150 rpm

El regulador electrónico de velocidad permite ajustar la velocidad del motor dependiendo del tamaño del corte y la dureza del material empleado, para lograr un mejor acabado y aumentar el rendimiento de la máquina. El control electrónico del par del motor de la TM33W, garantiza una velocidad constante incluso bajo carga. Para aumentar o disminuir la velocidad de la máquina deberá girar el botón de regulación R1 (Fig. 6) hacia la derecha o izquierda en función de la tarea que desee realizar. Existen 6 números de referencia que facilitan el control del ajuste de la velocidad deseada. En la tabla siguiente, se indican las posiciones del regulador electrónico de velocidad. Puede consultar también la misma tabla en la propia máquina.

R.P.M			
1	1.800	4	2.600
2	2.100	5	2.850
3	2.400	6	3.150

Para ajustar la velocidad tenga siempre en cuenta las recomendaciones del fabricante de la herramienta de corte. No es necesario parar la máquina para ajustar la velocidad de corte.

6.8 COLOCACIÓN DEL ANTIRRETROCESO

La máquina va equipada con un antirretroceso o trinquete que evita la expulsión de la pieza cortada hacia el operario en trabajos con mesa superior. Para colocar el antirretroceso apoyar el puente del muelle Z4 (Fig. 34) sobre el cuchillo divisor y posteriormente introducir el mecanismo por la regata de centrado apretando todo el conjunto mediante el pomo Z5

7. APLICACIONES DE TRONZADO. CONDICIONES DE USO PREVISTAS

Esta máquina permite el tronzado con eficacia y precisión

de piezas de madera, plástico y perfiles de aluminio. El regle de la máquina va provisto de unas ranuras que permiten la rápida colocación de un apoyo de madera R2 para evitar el astillado del material a cortar (Fig. 18). Siendo muy recomendable su utilización al cortar materiales frágiles o de poco grosor.



Es imprescindible el uso de prensos (ver apartado 10) para el tronzado de perfiles de aluminio, plástico y piezas largas (Fig. 20).

No iniciar el corte hasta que la hoja no haya alcanzado la plena velocidad de giro.

7.1 CORTE A 0° x 0°

Proceder como indica la (Fig. 18), realizando el corte con la ayuda de la guía láser. El tope de apoyo de la madera va provisto de una regla milimetrada S1 (Fig. 19) para facilitar la operación de corte. La regla marca la longitud del sobrante que se corta.

7.2 CORTE A 0° x 45°

Aflojar la maneta D (Fig. 2) y abatir el cabezal hasta el tope de 45° o a cualquier otro ángulo intermedio que se desee, con ayuda del indicador de ángulo Z1 (Fig. 15), apretar de nuevo la maneta D en la posición seleccionada

7.3 CORTE A 45° x 0°

Presionar sobre la palanca E2 (Fig. 5) y girar el plato hacia la izquierda o la derecha hasta que el índice señale los 45° o cualquiera de las posiciones fijas (15°, 22°30', 30°, 45°). Si se desea realizar un corte el cual no coincida con ninguna de las posiciones fijas del plato pulsar sobre la palanca E2 (Fig. 3) y seguidamente presionar hacia dentro el gatillo E3 (Fig. 3) esto permite desbloquear el plato consiguiendo de esta manera regular el ángulo exacto que se precise, posteriormente fijar el plato mediante el pomo K (Fig. 3)

7.4 CORTE A 45° x 45°

Presionar sobre la palanca E2 (Fig. 4) y girar el plato hacia la izquierda hasta su enclave automático a 45°. Aflojar la maneta D y abatir el cabezal hasta el tope de 45° o ángulo intermedio deseado, y fijarlo de nuevo (Fig. 4). La máquina permite asimismo el abatimiento del cabezal en cualquier posición del plato (solo en el giro a izquierdas del mismo).



Asegúrese que el brazo basculante quede perfectamente fijado en su posición cuando se hagan cortes a inglete.

7.5 CORTE ESPECIAL 200 x 25 mm

Ésta máquina permite cortar en la posición de 0°x0° hasta un máximo de 200x25 mm. Para ello sólo se tendrá que colocar sobre la mesa inferior los suplementos N2 (Fig. 16)

ref. 3346388 Juego suplementos para corte 200 mm (accesorio opcional) y proceder normalmente al tronzado. Esto es posible gracias al protector sierra retráctil R (Fig. 16) que va retirándose a medida que se va avanzando en el corte.

7.6 CORTE DE PIEZAS EN SERIE

Para el corte de piezas en serie se montará el tope de longitudes A1, regulándolo y bloqueándolo a la medida deseada (Fig. 5).

8. CORTE SOBRE MESA SUPERIOR



La guía láser incorpora también un interruptor On/off T1 (Fig. 22) para activar o desactivar su funcionamiento. Es imprescindible poner el interruptor en la posición Off para el corte con mesa superior.



Sobre la mesa superior sólo puede cortarse madera o plástico, no utilizarla nunca para cortar aluminio o perfiles.

Para utilizar la máquina en esta modalidad de corte, primero se debe proceder a colocar sobre la máquina el carenado inferior K1 (Fig. 6) que impide cualquier contacto accidental con el disco de sierra por debajo de la mesa. A continuación bloquear la máquina en posición de transporte por medio del eje M2 (Fig. 6), comprobando que el carenado quede perfectamente encajado e inmovilizado. Seguidamente aflojar el pomo A y bajar la empuñadura hasta su posición inferior (Fig. 1), asegurándose de que la cuña Z6 del carenado se introduce perfectamente por la parte inferior de la empuñadura (Fig. 25).

Aflojar el pomo L, retirar el perfil de aluminio superior que encierra el protector de la hoja y utilizarlo como guía lateral de corte bloqueándolo a la distancia de la hoja deseada (Fig. 11), este protector dispone en su lateral de una ranura que incorpora dos tuercas E4 (Fig. 11) previstas para fijar un listón de madera que llegue hasta el eje vertical del centro de la hoja de la sierra. La colocación de este listón (Fig. 17) es conveniente para realizar cortes de pequeña longitud (tarugos y zoquetes) ya que en este tipo de cortes la pieza cortada al salir del centro de la hoja si no encuentra una cierta holgura en su salida queda retenida por el sentido de giro de la hoja pudiendo provocar una expulsión incontrolada de la pieza.

La salida de la hoja respecto a la mesa se regulará aflojando los pomos M (Fig. 1) y situando la mesa a la altura de corte deseada mediante el pomo de ajuste de altura M2, procurando que la hoja salga del material a cortar solo la altura del diente, apretar firmemente los pomos a la altura seleccionada.

Enclavar el pulsador E1 en posición para corte con mesa superior (Fig. 8). Terminado el trabajo de corte sobre la mesa colocar de nuevo el perfil de aluminio en su posición protectora antes de usar la máquina en su función de tronzado.



Como medida de seguridad en ausencia del carenado o de su mal posicionamiento la máquina no se pondrá en marcha.

Usar el bastón de empuje E5 que se suministra con la máquina para alimentar la pieza cuando pase por la hoja de sierra (Fig. 21). En uno de los laterales de la mesa superior, la máquina dispone de dos soportes de anclaje previstos para colocar el bastón de empuje E5 durante su transporte.

Usar correctamente la protección superior de la hoja.

Asegúrese que el brazo basculante queda perfectamente fijado en su posición cuando trabaje con la mesa superior.

Colocar inmediatamente el cuchillo divisor principal con la protección después de acabar los trabajos con el cuchillo divisor de perfil bajo.

Mantener siempre bien afilados los dientes del antirretroceso. Coloque el protector superior una vez concluidos los trabajos de corte con mesa superior, la máquina no funcionará en modo de tronzado sin la correcta colocación del protector superior asegurándose que la cuña Z7 se introduce en su encaje (Fig. 31).

9. SALIDA ASPIRACIÓN

Esta máquina va provista en su parte posterior de una salida de aspiración de 38 mm de diámetro, mediante la cual es posible la conexión a un tubo flexible que puede a su vez ser adaptado a un aspirador industrial o a cualquier sistema de aspiración centralizado para la recogida de viruta y polvo. Se recomienda la conexión a nuestros aspiradores AS182K, AS282K.

Para el trabajo sobre la mesa superior, además de realizar la conexión anterior, el carenado va provisto de la boquilla D2 (Fig. 6) sobre la cual es necesario conectar el acoplamiento de aspiración standard (ref. 6446073 3,5 m / ref. 1746245 5 m) para una perfecta evacuación de la viruta.

Es aconsejable conectar siempre la máquina a un dispositivo de recogida de polvo y viruta.

10. ACCESORIOS OPCIONALES

Ref. 3345416 Juego 2 prensos (Fig. 20). Su uso es imprescindible para el tronzado de perfiles de aluminio y plásticos.

Ref. 3345470 Juego asas laterales (Fig. 19)

Ref. 7246098 Escuadra mesa superior

Ref. 5800100 Mesa de trabajo transportable MT58K (Fig. 40)

Ref. 8200100 Aspirador industrial AS182K

Ref. 8200200 Aspirador industrial AS282K

11. MANTENIMIENTO Y LIMPIEZA



Asegúrese que la máquina esté desconectada de la red eléctrica antes de realizar cualquier manipulación.

11.1 CAMBIO DE LA HOJA DE SIERRA

Aflojar los pomos M (Fig. 1) y levantar la mesa a su posición máxima, extraer el cuchillo divisor principal y la tapa de protección lateral mediante los tornillos Z8 (Fig. 32 y 33). Seguidamente, presionar el botón O y girar la sierra lentamente hasta que ésta se enclave (Fig.1). A continuación aflojar el tornillo P (Fig. 12), mediante la llave de servicio que se suministra, en el sentido de las agujas del reloj. Una vez suelta la hoja de sierra, desplazarla hacia arriba para después poder extraerla hacia abajo, por el lateral del cabezal de la máquina, salvando la protección.

Seguir el proceso inverso para montar la nueva hoja de sierra, orientando la flecha de ésta con la misma dirección de la existente en la protección basculante y comprobando la perfecta limpieza de los asientos de los elementos y asegurándose que el platillo laser de sujeción exterior encaja perfectamente en los rebajes del extremo del eje.

Una vez efectuado el montaje del disco, mover este ligeramente hasta que el botón de bloqueo quede liberado.



– Asegúrese que nueva hoja de sierra que se monte tenga el mismo diámetro que la sustituida.

– No usar hojas de sierra que estén dañadas o deformadas.

– Seleccionar las hojas de sierra en relación al material que se vaya a cortar.

– Usar sólo las hojas de sierra que cumplan las condiciones expresadas en este manual y en cualquier caso asegúrese de que la hoja tenga el cuerpo más delgado que el espesor de la quilla y que a la vez la anchura de los dientes sea superior al espesor de ésta.

11.2 CAMBIO DE LAS CORREAS

Para cambiar las correas de la máquina se procederá del modo siguiente:

-Aflojar los tornillos S (Fig. 13) y quitar la tapa transmisión.

-Quitar las correas rotas o desgastadas y sustituirlas por otras nuevas, teniendo en cuenta que siempre deberá montarse en primer lugar la correa interior, con lo cual el tren de poleas trasero quedará montado en el brazo basculante de la máquina (Fig. 13). A continuación se montará la correa exterior, para lo cual deberá tenerse en cuenta que ésta engrane perfectamente en las poleas, y ayudándose de la llave de servicio que se utiliza para el cambio de sierra, se hará girar lentamente el eje al mismo tiempo que se empuja la tapa de transmisión hacia el brazo basculante. Es importante asegurar que los pivotes de centraje T entren suavemente en sus encajes.

NOTA: El ensamblaje de la tapa de transmisión con el brazo basculante se tendrá que realizar de una forma manual y sin golpear o forzar en ningún caso ninguna de las piezas, ya que en tal caso no se aseguraría su perfecto funcionamiento.

11.4 FRENO MOTOR

La máquina va provista de un freno mecánico centrífugo que

posibilita que el tiempo transcurrido desde que se desactiva el pulsador del Interruptor hasta la completa inmovilización de la hoja de sierra sea inferior a diez segundos.

Para su seguridad, y debido a la complejidad de la operación, recomendamos que cuando por desgaste de las pastillas observe que el tiempo de parada de la hoja supera ese margen de tiempo, se dirija a un Servicio Oficial de Asistencia Técnica VIRUTEX para proceder a su sustitución.

11.5 SUSTITUCIÓN DE LAS PILAS DE LA GUÍA LASER

Una vez agotadas las pilas de la guía láser sustituir las por unas nuevas del siguiente modo:

Aflojar los tornillos R1 (Fig. 23) retirar la cubierta portapilas y extraer las pilas agotadas de su alojamiento sustituyéndolas por unas nuevas. Proceder en sentido inverso para su montaje teniendo en cuenta que el polo positivo de las pilas debe quedar hacia la cara exterior del portapilas (Fig. 35)



**Utilizar exclusivamente pilas del tipo LR44.
No utilizar pilas recargables.**

11.6 LUBRICACIÓN Y LIMPIEZA

La máquina se entrega totalmente lubricada de fábrica no precisando cuidados especiales a lo largo de su vida útil, siendo suficiente con limpiar y engrasar periódicamente con aceite las articulaciones mecánicas.

Es importante limpiar siempre cuidadosamente la máquina después de su utilización mediante un chorro de aire seco. Mantener el cable de alimentación en perfectas condiciones de uso.

12. NIVEL DE RUIDO Y VIBRACIONES

Los niveles de ruido y vibraciones de esta herramienta eléctrica han sido medidos de acuerdo con la Norma Europea EN 61029-1 y EN 61029-2-11 (TM33W) y EN 61029-2-9 (TS33W) y sirven como base de comparación con máquinas de semejante aplicación.

El nivel de vibraciones indicado ha sido determinado para las aplicaciones principales de la herramienta, y puede ser utilizado como valor de partida para la evaluación de la exposición al riesgo de las vibraciones. Sin embargo, el nivel de vibraciones puede llegar a ser muy diferente al valor declarado en otras condiciones de aplicación, con otros útiles de trabajo o con un mantenimiento insuficiente de la herramienta eléctrica y sus útiles, pudiendo llegar a resultar un valor mucho más elevado debido a su ciclo de trabajo y modo de uso de la herramienta eléctrica.

Por tanto, es necesario fijar medidas de seguridad de protección al usuario contra el efecto de las vibraciones, como pueden ser mantener la herramienta y útiles de trabajo en perfecto estado y la organización de los tiempos de los ciclos de trabajo (tales como tiempos de marcha con la herramienta bajo carga, y tiempos de marcha de la herramienta en vacío y sin ser utilizada realmente ya que la reducción de estos últimos puede disminuir de forma sustancial el valor total de exposición)

13. GARANTÍA

Todas las máquinas VIRUTEX tienen una garantía válida de 12 meses a partir del día de suministro, quedando excluidas todas las manipulaciones o daños ocasionados por manejos inadecuados o por desgaste natural de la máquina. Para cualquier reparación dirigirse al Servicio Oficial de Asistencia Técnica VIRUTEX.

14. RECICLAJE DE LAS HERRAMIENTAS ELÉCTRICAS

Nunca tire la herramienta eléctrica con el resto de residuos domésticos. Recicle las herramientas, accesorios y embalajes de forma respetuosa con el medio ambiente. Respete la normativa vigente de su país.

Aplicable en la Unión Europea y en países europeos con sistemas de recogida selectiva de residuos:

La presencia de esta marca en el producto o en el material informativo que lo acompaña, indica que al finalizar su vida útil no deberá eliminarse junto con otros residuos domésticos.



Conforme a la Directiva Europea 2002/96/CE los usuarios pueden contactar con el establecimiento donde adquirieron el producto, o con las autoridades locales pertinentes, para informarse sobre cómo y dónde pueden llevarlo para que sea sometido a un reciclaje ecológico y seguro.

En la inquietud continua por la mejora y actualización de sus productos, VIRUTEX se reserva el derecho de modificarlos sin previo aviso.

FRANÇAIS

SCIE A ONGLET INCLINABLE TM33W- TS33W

Remarque importante












Avant d'utiliser la machine, lire attentivement la BROCHURE D'INSTRUCTIONS GÉNÉRALES DE SÉCURITÉ jointe à la documentation de la machine. Garder dans un endroit sûr la BROCHURE indiquée et le présent MANUEL D'INSTRUCTIONS pour toutes consultations postérieures.

SYMBOLES

Les symboles suivants peuvent être importants pour l'utilisation de votre outil électroportatif. Veuillez mémoriser les symboles et leur signification. L'interprétation correcte des symboles vous permettra de mieux utiliser votre outil

électroportatif et en toute sécurité.

Symbole	Signification
	Ne pas diriger le rayon laser vers des personnes ou des animaux et ne jamais regarder soi-même dans le rayon laser. Cet outil électroportatif génère des radiations laser classe 3 suivant la norme EN60825-1. Cette radiation peut aveugler les personnes
	Orifice de sortie du laser
	Seulement pour les pays de l'Union Européenne: Ne jetez pas votre appareil électroportatif avec les ordures ménagères! Conformément à la directive européenne 2002/96/CE relative aux déchets d'équipements électriques et électroniques et sa réalisation dans les lois nationales, les outils électroportatifs dont on ne peut plus servir doivent être séparés et suivre une voie de recyclage appropriée.
	Porter des lunettes de protection.
	Porter des protections auditives. L'exposition aux bruits peut provoquer une perte de l'audition.
	Porter un masque anti-poussière.
	Zone dangereuse! Maintenir les mains, doigts ou bras éloignés de cette zone.
	Symbole pour la utilisation de la scie comme scie à onglets.
	Symbole pour une utilisation de la scie comme scie circulaire de table.

STABILITÉ DE LA SCIE

La scie à onglet DOIT ÊTRE FIXÉE fermement à une base ou à un établi. De plus, si la scie à onglet a tendance à s'incliner ou à se déplacer lors de certaines opérations, telles que la coupe de planches longues et lourdes, utiliser un support auxiliaire.

EMPLACEMENT

Utiliser la scie à onglet dans un espace bien éclairé et sur une surface bien nivelée, suffisamment propre et lisse pour réduire le risque de faux pas et de chutes. L'utiliser dans un endroit où ni l'opérateur ni un observateur occasionnel ne se verra contraint de se trouver dans la même ligne que la lame.

RETOUR

Le retour peut provoquer de graves blessures.

Le retour se produit lorsqu'une partie de la pièce à travailler se coince entre la lame de la scie et la butée de guidage pour la coupe dans le sens du fil ou tout objet fixe. Le retour peut également se produire lorsque la pièce à travailler se coince dans la lame en raison d'un mauvais alignement. Au moment du retour, la pièce à travailler se soulève par rapport à la table et est projetée vers l'opérateur. Garder le visage et le corps d'un côté de la lame de scie, hors de la ligne d'un retour éventuel.

LES RETOURS ET LES BLESSURES ÉVENTUELLES PEUVENT GÉNÉRALEMENT ÊTRE ÉVITÉS:

Pour couper dans le sens du fil, la butée de guidage doit rester parallèle à la lame de scie.

La lame de scie doit toujours être bien affûtée.

Remplacer ou affûter les cliquets anti-retour lorsque les pointes sont émoussées.

Maintenir le capot protecteur de la lame de la scie, le couteau diviseur et les cliquets anti-retour en place et en bon état. Le couteau diviseur doit être aligné avec la lame de scie et les cliquets doivent bloquer le retour au moment où il se produit. Vérifier leur fonctionnement avant de couper dans le sens du fil.

Ne pas couper dans le sens du fil une pièce tordue, bombée ou dont le bord n'est pas assez droit pour servir de guide le long de la butée de guidage prévue à cet effet.

Ne pas lâcher la pièce à travailler tant qu'on ne l'a pas complètement fait passer de l'autre côté de la lame de scie.

En coupant dans le sens du fil, exercer la force de poussée sur la partie de la pièce à travailler située entre la lame de scie et la butée de guidage prévue à cet effet. Utiliser le presseur ou un bloc de pression si nécessaire.

RESPECTER ET SUIVRE LES CONSIGNES DE SÉCURITÉ QUI FIGURENT SUR LA PARTIE AVANT DE LA SCIE À ONGLET.

Dispositif anti-retour

En cas de retour, le dispositif anti-retour (également appelé cliquet) est conçu pour éviter la projection de la planche vers l'utilisateur. Les dents affûtées des cliquets sont conçues pour «retenir» le matériau en cas de retour.

1. CARACTÉRISTIQUES TECHNIQUES

Puissance absorbée.....	15 A
Moteur.....	50/60 Hz
Tours à vide.....	1.800-3.150 rpm
Type laser.....	650 nm
	<5 mW
Classe laser.....	3 R
Dimensions disque de scie:	
Diamètre extérieur.....	300 mm/12"

Diamètre intérieur.....1"
 Plateau giratoire:
 Orientable à droite et à gauche jusqu'à 45° avec blocage fixe à: 0°, 15°, 22,5°, 30° et 45°.
 Tête basculante:
 Inclinable de 90 à 45° par rapport à la base et dans toutes les positions de rotation du plateau de 0 à 45° sur la gauche de celui-ci.
 Poids.....22 kg
 Dimensions emballage.....590x580x450 mm

Niveau de pression acoustique continu équivalent pondéré A.....96 dBA
 Niveau de puissance acoustique A.....107 dBA
 Incertitude.....K = 3 dBA



Porter une protection acoustique!

Valeurs totales des vibrations..... a_n : 3 m/s²
 Incertitude.....K: 1,5 m/s²

2. CAPACITÉS MAXIMUMS DE COUPE

- Coupe à 0°x0° (Fig. 36).....160 x 95 mm (avec élément supplémentaire de 36 mm).200 x 25 mm
 - Coupe à 0°x45° (Fig. 37).....160 x 64 mm
 - Coupe à 45°x0° (Fig. 38).....110 x 95 mm
 - Coupe à 45°x45° (Fig. 39).....75 x 64 mm
 - Coupe sur table supérieure.....max. 55 mm

3. ÉLÉMENTS DE SÉCURITÉ

3.1 INTERRUPTEUR

La machine dispose d'un interrupteur à bouton-poussoir situé sur la poignée et d'un bouton de blocage pour le travail avec table supérieure.

Pour le travail de tronçonnage, presser le bouton de mise en marche de l'interrupteur tout en actionnant le levier B1 (Fig. 1) de manière qu'en cessant d'appuyer sur celui-ci la machine s'arrête automatiquement. Ce dispositif de sécurité permet de réaliser l'opération plus commodément sans avoir à presser le bouton de l'interrupteur pendant l'opération de tronçonnage.

Pour le travail de coupe avec table supérieure, bloquer le bouton E1 (Fig. 8) et agir sur les boutons de marche-arrêt de l'interrupteur. Le bouton se débloquent automatiquement lorsque la machine sera mise en position de tronçonnage. La poignée est munie d'un système de verrouillage de sécurité en position OFF afin d'empêcher la mise en marche de la machine par toute personne non autorisée. Il suffit pour cela d'introduire un cadenas dans l'orifice Z1 du dispositif de blocage (Fig. 24 et 8).

3.2 PROTECTEURS MÉCANIQUES

En position de repos, la lame de scie est complètement recouverte par les protecteurs, et la machine reste bloquée dans cette position. Le levier B1 (Fig. 1) permet le déblocage de la machine avant la descente.



Vérifier si la lame de scie est complètement couverte par les protecteurs en position de repos de la machine. Les protecteurs doivent toujours être en bon état.

Les dispositifs de sécurité éteignent automatiquement la machine si le capot protecteur supérieur est retiré ou s'il n'est pas positionné correctement sur la table supérieure lorsqu'on l'utilise en mode tronçonnage. S'assurer que la patte d'actionnement Z7 (Fig. 31) du verrouillage de sécurité est correctement introduite dans son logement. De même, la machine ne se mettra pas en marche si le carénage inférieur n'est pas bien positionné lorsque l'on travaille en mode scie sur table. La patte Z6 (Fig. 25) du verrouillage du carénage inférieur doit être correctement introduite dans son logement.

3.3 PROTECTION CONTRE LES MISES EN MARCHÉ ACCIDENTELLES LORS DE COUPURES DE COURANT

La machine est pourvue d'un dispositif qui, en cas de baisse de tension ou de coupure de courant, interrompt le circuit et empêche le démarrage accidentel de la machine lorsque le courant est rétabli, même si le bouton de blocage est maintenu actionné.

Pour faire redémarrer la machine, presser le bouton de marche de l'interrupteur.

3.4 PROTECTION CONTRE LES COURTS-CIRCUITS

Le circuit de machine incorpore un fusible T1 (Fig. 1) qui la protège des courts-circuits et des surcharges.

Le fusible se trouve dans la poignée de la machine. Pour changer le fusible, au cas où il serait fondu, dévissez le bouchon du porte-fusible et enlevez le fusible détérioré. Remplacez-le par un autre du même calibre (6,3x32 15A).

4. DÉBALLAGE DE LA MACHINE

À l'intérieur de la caisse, vous trouverez les éléments suivants:

- Scie à onglet inclinable TM33W
- Clé allen o/c 8 mm
- Clé allen o/c 5 mm
- Clé allen o/c 2,5 mm
- Protection inférieure
- Ensemble butée réglage bois
- Poussoir
- Manuel d'instructions et vues éclatées
- Brochure d'instructions générales de sécurité
- Documentation diverse

5. PRÉPARATION ET MISE AU POINT



Vérifier si la machine est débranchée du secteur, avant de réaliser toute opération de préparation ou entretien de celle-ci.

5.1 INSTALLATION

Une fois la machine déballée, fixer sa poignée au bras

basculant comme indiqué sur le schéma de l'étiquette appliquée sur cette dernière.

Pour l'emploi de la machine en poste fixe, il est recommandé de la fixer sur une table ou un établi de travail, à une hauteur d'environ 90 cm, à l'aide des trous C prévus sur la base (Fig. 2). Il est recommandé d'utiliser notre accessoire TABLE DE TRAVAIL TRANSPORTABLE MT58K (réf. 5800100) (Fig. 40). La machine est exclusivement conçue pour travailler à l'intérieur, ne pas l'exposer à la pluie ni aux ambiances humides.

5.2 POIGNÉE

Pour situer la poignée de la machine en position de travail, desserrer le bouton A (Fig. 1), faire basculer la poignée dans sa position la plus haute et bloquer à nouveau le bouton A.

5.3 DÉBLOCAGE DE LA TÊTE

Appuyer légèrement sur la poignée dans le sens de coupe et tourner l'axe de fixation transport M2 (Fig. 6) dans le sens des aiguilles d'une montre jusqu'à arriver à la butée, ensuite accompagner la machine dans son mouvement vers le haut jusqu'au blocage en position de repos.

5.4 VÉRIFICATIONS

Avant de brancher la machine sur le secteur, vérifier le bon état de fonctionnement des protecteurs et des mécanismes de sécurité.

De même, vérifier si la tension et la fréquence du secteur correspondent à ce qui est indiqué sur la plaque des caractéristiques de la machine.

Si on utilise une rallonge, vérifier que la section des conducteurs de celle-ci est adaptée à l'intensité nominale de la machine.

6. RÉGLAGES



Vérifier si la machine est débranchée du secteur avant de réaliser toute manipulation.

La scie à onglet est réglée d'origine, cependant elle dispose des mécanismes indiqués, ci-dessous, pour des réglages postérieurs.

6.1 RÉGLAGE DE LA TÊTE INCLINABLE

Pour régler la lame de scie à 90° par rapport à la table de la machine, situer une équerre de vérification entre les deux et procéder de la façon suivante:

Desserrer la manette D (Fig. 2) et corriger à l'aide de la vis E l'écart éventuel. On peut également régler la tête inclinable à 45° par rapport à la table, en utilisant dans ce cas la vis F (Fig. 2).

6.2 RÉGLAGE DU PLATEAU GIRATOIRE

La machine dispose d'un blocage automatique à 0°, 15°, 22,5°, 30° et 45°, c'est pourquoi on ne devra régler ces positions que dans des cas exceptionnels. Si besoin est, bloquer la

machine à 0°, et en dévissant les vis G qui fixent la règle H, déplacer celle-ci jusqu'à ce qu'elle soit située parfaitement perpendiculaire à la scie (Fig. 10).

6.3 RÉGLAGE DE LA PROFONDEUR DE COUPE MAXIMUM

La butée de profondeur de coupe est donnée par la vis réglable I (Fig. 2). On devra la régler chaque fois qu'on change le disque de la scie, ou quand on procède à l'affûtage.



- Vérifier si la scie ne touche pas le fond du plateau après avoir réglé la butée de descente.
- Changer le couvercle du plateau quand il est abîmé ou cassé.

6.4 REMPLACEMENT DU COUPEAU DIVISEUR

La machine est équipée de deux types de coupeau diviseur: le coupeau principal, qui supporte la protection supérieure de la table et le dispositif anti-retour ou cliquet, et un coupeau diviseur à profil bas pour la réalisation de rainures ou de feuillures, à utiliser de façon occasionnelle (Fig. 27 et 28).



Après la réalisation d'une rainure ou d'une feuillure, remplacer le coupeau diviseur principal sur la table de la machine.

Pour remplacer le coupeau diviseur, utiliser la clé de service Z2 (Fig. 26) en l'introduisant dans les trous de guidage du capot protecteur latéral, desserrer les vis de fixation du coupeau diviseur puis l'extraire en le déplaçant vers le haut. Positionner ensuite le deuxième coupeau en le faisant glisser dans le guide de centrage Z3 (Fig. 30) de la machine, puis serrer les deux vis et vérifier qu'il est parfaitement mis en place.

6.5 RÉGLAGE DE LA BUTÉE DE MONTÉE

Pour régler la butée de montée, on utilisera la vis Y (Fig. 2), en tenant compte du fait que la machine se bloque en position de repos.

6.6 GUIDAGE LASER

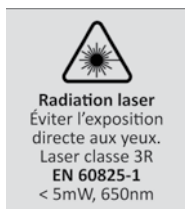
La machine est équipée d'un guidage laser solidaire du disque de scie qui projette un faisceau de lumière sur le matériau à couper pour indiquer avec une grande précision la ligne que devra suivre le disque de scie. Faire coïncider le faisceau de lumière avec le trait repère réalisé avant la coupe. Le guidage laser est muni d'un interrupteur à inertie qui lui permet de n'être activé que lorsque le disque de scie tourne.



Le guidage laser comprend également un interrupteur On/off T1 (Fig. 22) pour en activer ou en désactiver le fonctionnement. Pour la coupe sur table supérieure, il est indispensable de mettre l'interrupteur en position Off.

L'outil électrique est fourni en série avec une plaque signalétique d'avertissement en espagnol R (Fig. 18).

Avant la première mise en marche, coller sur la plaque signalétique d'avertissement l'étiquette ci-jointe rédigée dans la langue voulue.



6.7 RÉGLAGE DE LA VITESSE 1.800-3.150 rpm

Le réglage électronique de la vitesse permet régler la vitesse du moteur selon la dimension de la coupe et la dureté du matériau à travailler, pour obtenir une meilleure finition et augmenter le rendement de la machine. Le contrôle électronique du couple moteur garantit une vitesse constante même sous charge. Pour augmenter ou réduire la vitesse il faut tourner le bouton de réglage R1 (Fig. 6) à droite ou à gauche en fonction du travail à réaliser. Il y a six positions numériques qui facilitent le réglage à la vitesse souhaitée. Dans le schéma ci-dessous sont indiquées les positions du contrôle électronique de réglage de la vitesse. Il est aussi possible de consulter le même schéma sur la machine.

R.P.M			
1	1.800	4	2.600
2	2.100	5	2.850
3	2.400	6	3.150

Pour régler la vitesse prenez toujours en considération les recommandations du fabricant des lames de scie. Il n'est pas nécessaire arrêter la machine pour régler la vitesse de la même.

6.8 MISE EN PLACE DU DISPOSITIF ANTI-RETOUR

La machine est équipée d'un dispositif anti-retour ou cliquet pour empêcher la projection de la pièce coupée vers l'utilisateur lors des travaux avec la table supérieure. Pour mettre en place le dispositif anti-retour, appuyer la languette du ressort Z4 (Fig. 34) sur le couteau diviseur, puis introduire le mécanisme dans la rainure de centrage en serrant l'ensemble avec le bouton Z5.

7. APPLICATIONS DE TRONÇONNAGE, CONDITIONS D'UTILISATION PRÉVUES

Cette machine permet le tronçonnage efficace et précis de pièces en bois, plastique et de profils d'aluminium.

La règle de la machine est pourvue de rainures qui permettent la mise en place rapide d'un appui en bois R2 pour éviter l'éclatement du matériel à couper (Fig. 18). Il est recommandé de les utiliser pour couper des matériaux fragiles ou peu épais.



Il faut absolument utiliser les presseurs (voir paragraphe 10) pour le tronçonnage de profils d'aluminium, plastique et pièces longues (Fig. 20).

Ne pas commencer la coupe tant que la lame n'a pas atteint le plein régime de la vitesse de rotation.

7.1 COUPE A 0° X 0°

Procéder comme il est indiqué sur la (Fig. 18), en réalisant la coupe à l'aide du guidage laser. La butée d'appui du panneau en bois comporte une règle millimétrée S1 (Fig. 19) pour faciliter l'opération de coupe. La règle marque la longueur de l'excédent à couper.

7.2 COUPE A 0° X 45°

Desserrer la manette D (Fig. 2) et incliner la tête jusqu'à la butée de 45° ou à l'angle intermédiaire souhaité, à l'aide de l'indicateur d'angle Z1 (Fig. 15), visser à nouveau la manette D dans la position sélectionnée.

7.3 COUPE A 45° X 0°

Appuyer sur le levier E2 (Fig. 5) et faire tourner le plateau vers la gauche ou la droite jusqu'à ce que l'indicateur marque 45° ou n'importe laquelle des positions fixes (15°, 22°30', 30°, 45°).

Si vous souhaitez faire une coupe ne coïncidant pas avec l'une des positions fixes du plateau, appuyez sur le levier E2 (Fig. 3) puis pressez la gâchette E3 (Fig. 3): cela permet de débloquer le plateau et ainsi de régler l'angle exact voulu; ensuite, fixez le plateau à l'aide des pommeaux K (Fig. 3).

7.4 COUPE A 45° X 45°

Appuyer sur le levier E2 (Fig. 4) et faire tourner le plateau vers la gauche jusqu'à son blocage automatique à 45°. Relâcher la manette D et rabattre la tête jusqu'à la butée de 45° ou l'angle intermédiaire voulu, puis le refixer (Fig. 4). La machine permet également l'inclinaison de la tête dans n'importe quelle position du plateau (uniquement en le tournant vers la gauche).



Vérifier si le bras à bascule est parfaitement fixé dans sa position quand on biseaute.

7.5 COUPE SPÉCIALE 200 X 25 mm

Cette machine permet de couper dans la position de 0°x0° jusqu'à un maximum de 200x25 mm. Pour ce faire, il n'y aura qu'à placer sur la table inférieure les accessoires N2 (Fig. 16) réf. 3346388 jeu d'accessoires de coupe 200 mm (accessoire en option) et nous procéderons au tronçonnage normale. Ceci est possible grâce à son protecteur de scie rétractile R (Fig. 16) qui recule au fur et à mesure qu'avance la coupe.

7.6 COUPE DE PIÈCES EN SÉRIE

Pour la coupe de pièces en série, on montera la butée de longueurs A1, en la réglant à la mesure souhaitée (Fig. 5).

8. COUPES SUR TABLE SUPÉRIEURE



Le guidage laser comprend également un interrupteur On/off T1 (Fig. 22) pour en activer ou en désactiver le fonctionnement. Pour la coupe sur table supérieure, il est indispensable de mettre l'interrupteur en position Off.



Sur la table supérieure, on ne peut couper que du bois et du plastique, jamais de l'aluminium ou des profils.

Pour utiliser la machine dans cette modalité de coupe, il faut d'abord placer sur la machine le carénage inférieur K1 (Fig. 6) qui empêche tout contact accidentel avec le disque de scie sous la table. Bloquer ensuite la machine en position de transport avec l'axe M2 (Fig. 6), en vérifiant que le carénage est parfaitement emboîté et immobilisé. Ensuite desserrer le bouton A et baisser la poignée jusqu'à sa position inférieure (Fig. 8), en s'assurant que la patte Z6 du carénage est parfaitement introduite dans la partie inférieure de la poignée (Fig. 25).

Desserrer le bouton L, enlever le profil d'aluminium supérieur qui renferme le protecteur de la lame et l'utiliser comme guide latéral de coupe, en le bloquant à la distance souhaitée de la lame (Fig. 11).

Ce protecteur dispose sur le côté d'une fente avec deux boulons incorporés E4 (Fig. 11) qui sont prévus pour fixer une baguette de bois jusqu'à l'axe vertical du centre de la lame de scie. Il convient de poser cette baguette (Fig. 17) pour faire des coupes de petite longueur (cales et morceaux de bois). En effet, dans ce type de coupes, si la pièce coupée ne sort pas du centre de la lame avec une certaine aisance, elle reste retenue par le sens de rotation de la lame, ceci pouvant provoquer une expulsion incontrôlée de la pièce. Le dépassement de la lame par rapport à la table peut être réglé en desserrant les boutons M (Fig. 1) et en situant la table à la hauteur souhaitée à l'aide du bouton de réglage de la hauteur M2, en faisant en sorte que la lame ne dépasse du matériel à couper que de la hauteur de la dent, visser fortement les boutons à la hauteur sélectionnée. Bloquer le bouton E1 en position de coupe avec table supérieure (Fig. 8). Quand le travail de coupe sur la table est terminé, replacer le profil d'aluminium dans sa position de protection de la scie avant d'utiliser à nouveau la machine comme tronçonneuse.



Par mesure de sécurité, en l'absence du carénage ou si celui-ci est mal positionné, la machine ne se met pas en marche.

Employer le bâton pousseur E5 fourni avec la machine pour charger la pièce lorsqu'elle passe par la lame de scie (Fig. 21). Sur l'un des côtés de la table supérieure, la machine dispose de deux supports d'ancrage prévus pour ranger la tige de poussée E5 pendant le transport.

Utiliser correctement la protection supérieure de la scie.

Vérifier si le bras à bascule est parfaitement fixé dans sa position quand on travaille avec la table supérieure.

Remplacer immédiatement le couteau diviseur principal avec la protection après avoir terminé les travaux avec le couteau diviseur à profil bas.

Maintenir les dents du dispositif anti-retour toujours bien affûtées.

Mettre en place le capot protecteur supérieur une fois terminés les travaux de coupe avec la table supérieure. La machine ne fonctionne pas en mode tronçonnage si le capot protecteur supérieur n'est pas positionné correctement et la patte Z7 bien à sa place (Fig. 31).

9. SORTIE D'ASPIRATION

Cette machine est pourvue dans sa partie postérieure d'une sortie d'aspiration de 38 mm de diamètre, où l'on peut brancher un tube flexible pour adapter un aspirateur industriel ou tout autre système d'aspiration centralisé pour le recueil de copeaux et de poussière. Il est recommandé le branchement de nos aspirateurs AS182K, AS282K.

Pour le travail sur la table supérieure, en plus de faire la connexion qui précède, il faut connecter l'accouplement d'aspiration standard (Réf. 6446073 3.5 m / Réf. 1746245 5 m) sur la buse D2 (Fig. 6) du carénage, pour une parfaite évacuation des copeaux.

Nous recommandons de toujours brancher la machine à un dispositif de recueil de poussière et copeaux.

10. ACCESSOIRES OPTIONNELS

Réf. 3345416 Jeu de deux presseurs (Fig. 20). Leur emploi est indispensable pour la coupe de profilés d'aluminium et de matières plastiques.

Réf. 3345470 Jeu de poignées de transport (Fig. 19)

Réf. 7246098 Équerre table supérieure

Réf. 5800100 Table de travail transportable MT58K (Fig. 40)

Réf. 8200100 Aspirateur AS182K.

Réf. 8200200 Aspirateur AS282K.

11. ENTRETIEN ET NETTOYAGE



Vérifier si la machine est débranchée du secteur, avant d'effectuer toute manipulation.

11.1 REMPLACEMENT DE LA LAME DE SCIE

Dévisser les boutons M (Fig. 1) et soulever la table au maximum; extraire le couteau diviseur principal et le capot protecteur latéral avec les vis Z8 (Fig. 32 et 33).

Ensuite, appuyer sur le bouton O et faire tourner lentement la scie jusqu'à ce qu'elle se bloque (Fig. 1). Ensuite dévisser la vis P (Fig. 12), à l'aide de la clé de service fournie, dans le sens des aiguilles d'une montre. Quand la lame de scie est libérée, la déplacer vers le haut pour pouvoir ensuite l'extraire vers le bas, sur le côté de la tête de la machine, en évitant la protection.

Suivre le processus inverse pour monter la nouvelle lame de scie, en orientant la flèche de celle-ci dans la même direction que celle existant sur la protection basculante et en vérifiant que les sièges des éléments sont parfaitement propres et en s'assurant que la plaque de fixation extérieure s'emboîte bien sur les feuillures de l'extrémité de l'axe.

Après avoir monté le disque, le déplacer légèrement pour libérer le bouton de blocage.



- Vérifier si la nouvelle lame de scie que l'on monte est du même diamètre que celle qu'on a remplacée.
- Ne jamais utiliser de lames de scie abîmées ou déformées.
- Sélectionner les lames de scie en fonction du matériel que l'on va couper.
- N'utiliser que des lames de scie respectant les conditions fournies dans ce manuel et en tout cas, s'assurer que la lame a le corps plus mince que l'épaisseur de la quille et que la largeur des dents est supérieure à l'épaisseur de celle-ci.

11.2 REMPLACEMENT DES COURROIES

Pour remplacer les courroies de la machine, on procédera de la façon suivante:

- Dévisser les vis S (Fig. 13) et enlever le couvercle de transmission.

- Enlever les courroies cassées ou usées et les remplacer par des nouvelles, en tenant compte du fait qu'il faudra toujours monter d'abord la courroie intérieure, de manière à ce que le train de poulies arrière soit monté sur le bras à bascule de la machine (Fig. 13). Ensuite on montera la courroie extérieure, pour cela on fera en sorte qu'elle s'engrène parfaitement sur les poulies et en s'aidant de la clé de service utilisée pour le changement de la scie, on fera tourner lentement l'axe tout en poussant le couvercle de transmission vers le bras à bascule. Il est important de s'assurer que les pivots de centrage T entrent doucement dans leurs emboîtements. **NOTA:** L'assemblage du couvercle de transmission avec le bras à bascule devra être fait manuellement et sans taper ou forcer les pièces en aucune façon, car sinon on ne pourrait pas assurer un fonctionnement parfait.

11.4 FREIN MOTEUR

La machine est pourvue d'un frein mécanique centrifuge qui

fait en sorte que le temps entre la désactivation du bouton de l'interrupteur et l'immobilisation complète de la lame de scie soit inférieur à dix secondes.

Pour votre sécurité et en raison de la complexité de l'opération, nous recommandons, si vous observez, quand les plaquettes sont usées, que le temps d'arrêt de la lame dépasse cette marge de temps, de vous adresser à un Service Officiel d'Assistance Technique VIRUTEX pour les remplacer.

11.5 REMPLACEMENT DES PILES DU GUIDAGE LASER

Lorsque les piles du guidage laser sont épuisées, les remplacer par des piles neuves comme suit: desserrer les vis R1 (Fig. 23), retirer le couvercle du logement des piles, puis enlever les piles épuisées et les remplacer par des piles neuves. Procéder dans le sens inverse pour la repose, en veillant à placer le pôle positif des piles contre la face externe du boîtier (Fig. 35).



**N'utiliser que des piles du type LR44.
Ne pas utiliser de piles rechargeables.**

11.6 LUBRIFICATION ET NETTOYAGE

La machine est lubrifiée d'origine, elle n'a pas besoin d'entretiens particuliers au long de sa durée de vie, il suffit de nettoyer et de graisser périodiquement avec de l'huile les articulations mécaniques.

Il est important de toujours nettoyer soigneusement la machine après l'avoir utilisée avec un souffle d'air sec.

Garder le câble d'alimentation dans de parfaites conditions d'utilisation.

12. NIVEAU DE BRUIT

Les niveaux de bruit et de vibrations de cet appareil électrique ont été mesurés conformément à la norme européenne EN 61029-1 et EN 61029-2-11 (TM33W) et EN 61029-2-9 (TS33W) et font office de base de comparaison avec des machines aux applications semblables.

Le niveau de vibrations indiqué a été déterminé pour les principales applications de l'appareil, et il peut être pris comme valeur de base pour l'évaluation du risque lié à l'exposition aux vibrations. Toutefois, dans d'autres conditions d'application, avec d'autres outils de travail ou lorsque l'entretien de l'appareil électrique et de ses outils est insuffisant, il peut arriver que le niveau de vibrations soit très différent de la valeur déclarée, voire même beaucoup plus élevé en raison du cycle de travail et du mode d'utilisation de l'appareil électrique.

Il est donc nécessaire de fixer des mesures de sécurité pour protéger l'utilisateur contre les effets des vibrations, notamment garder l'appareil et les outils de travail en parfait état et organiser les temps des cycles de travail (temps de fonctionnement avec l'appareil en service, temps de fonctionnement avec l'appareil à vide, sans être utilisé séparément), car la diminution de ces temps peut réduire substantiellement la valeur totale d'exposition.

13. GARANTIE

Toutes les machines VIRUTEX ont une garantie valable

12 mois à partir du jour de la fourniture, étant exclus toutes les manipulations ou les dommages causés par des manègements incorrects ou provenant de l'usure naturelle de la machine. Pour toute réparation, s'adresser au Service Officiel d'Assistance Technique VIRUTEX.

14. RECYCLAGE DES OUTILS ÉLECTRIQUES

Ne jetez jamais un outil électrique avec le reste des déchets ménagers. Recyclez les outils, les accessoires et les emballages dans le respect de l'environnement. Veuillez respecter la réglementation en vigueur dans votre pays.

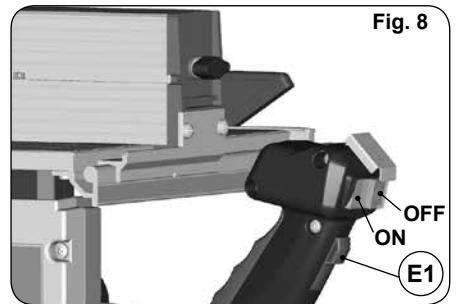
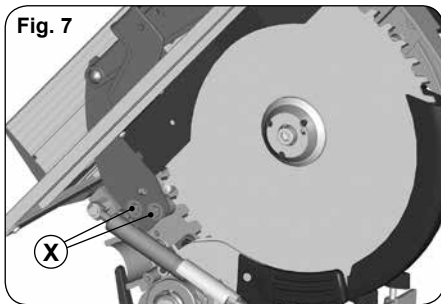
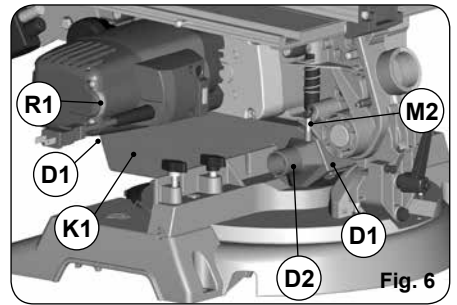
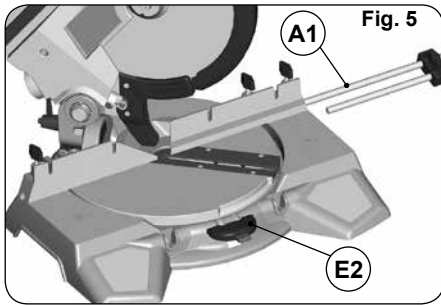
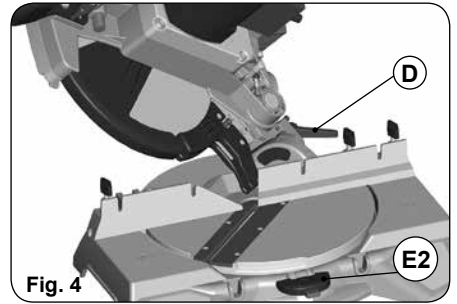
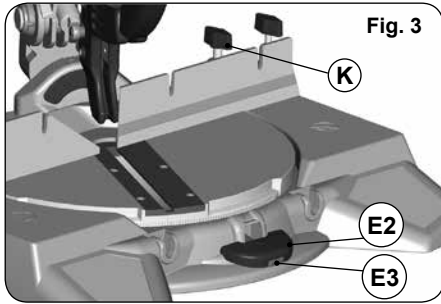
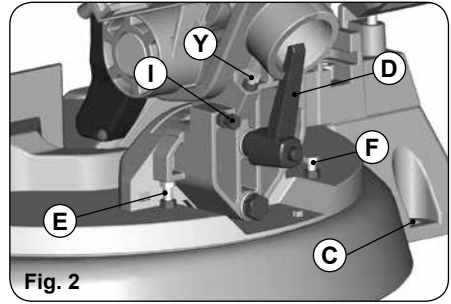
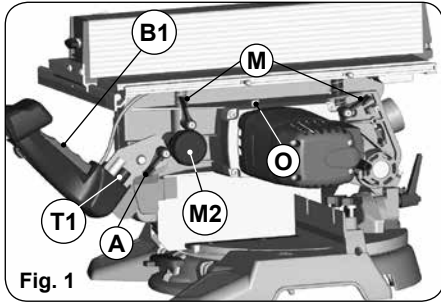
Applicable au sein de l'Union Européenne et dans les pays européens dotés de centres de tri sélectif des déchets:

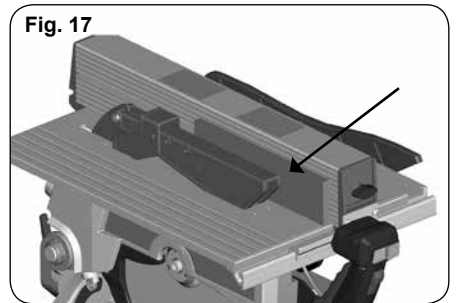
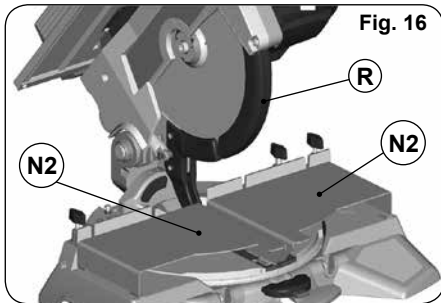
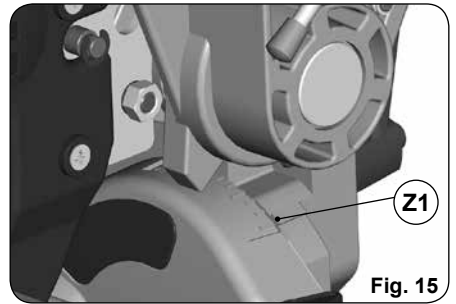
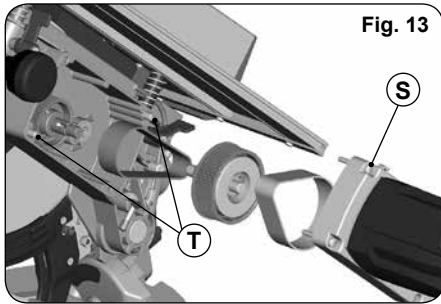
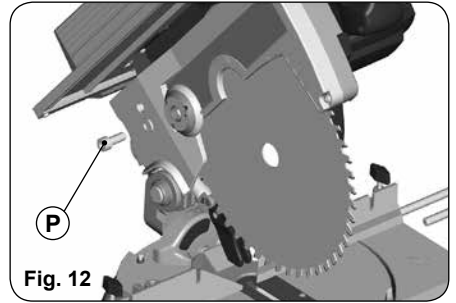
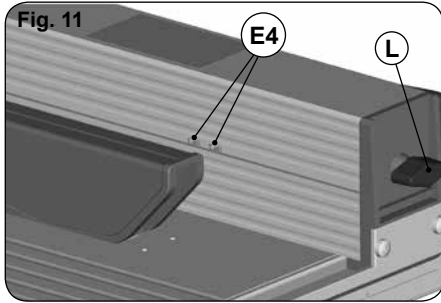
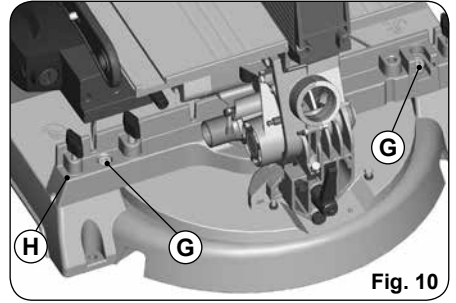
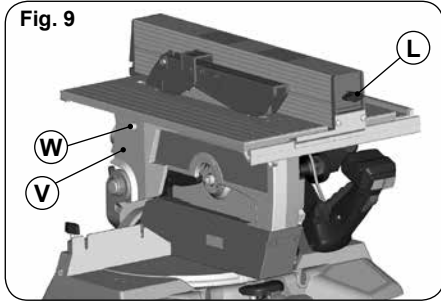
Ce symbole présent sur le produit ou sur la documentation informative qui l'accompagne, indique qu'en fin de vie, ce produit ne doit en aucun cas être éliminé avec le reste des déchets ménagers.

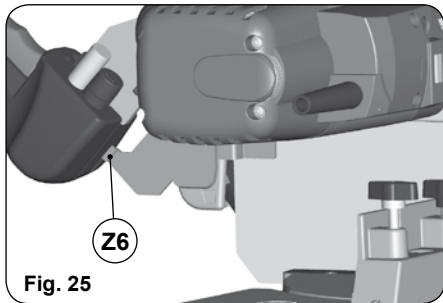
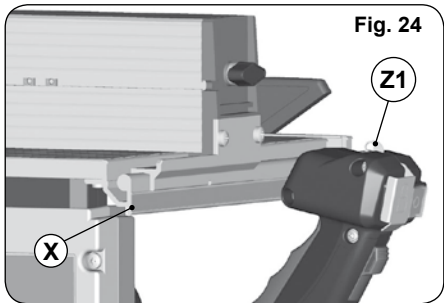
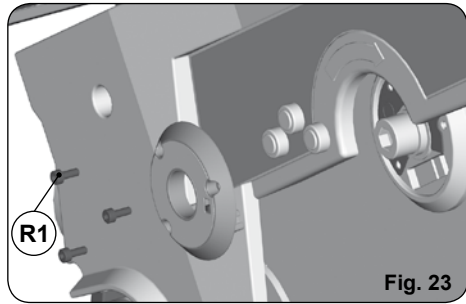
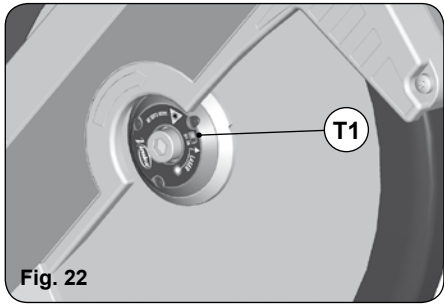
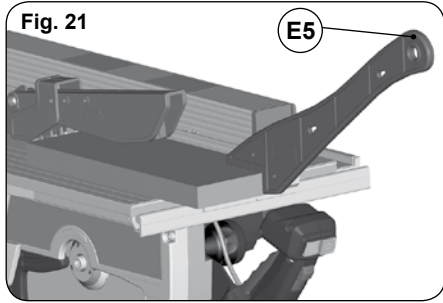
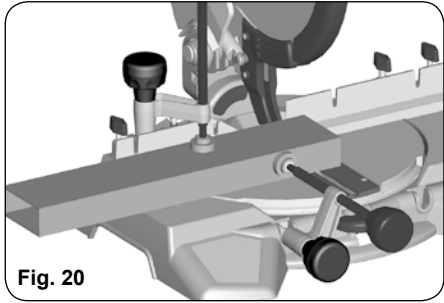
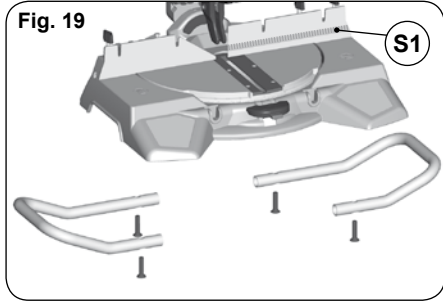
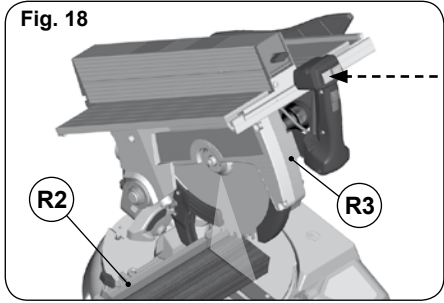


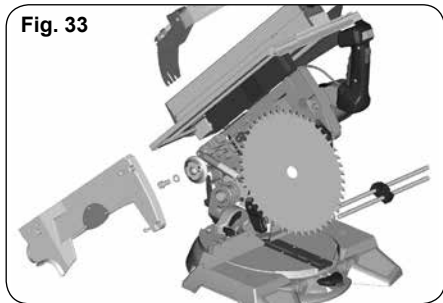
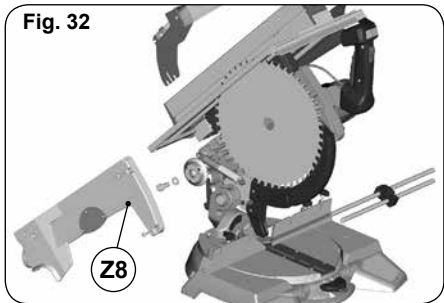
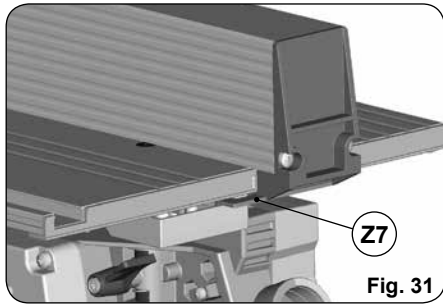
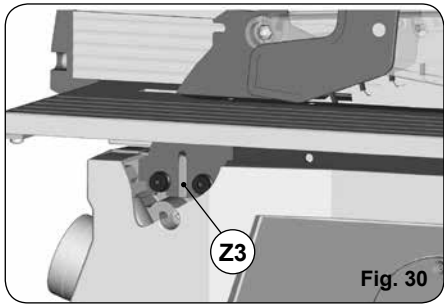
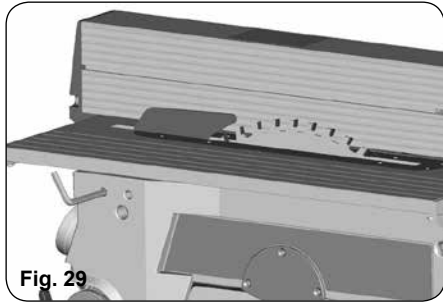
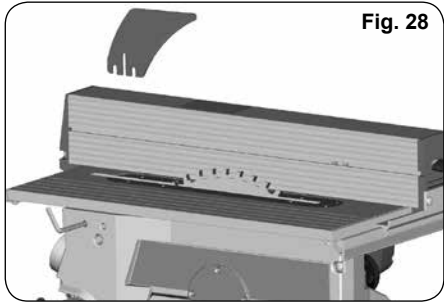
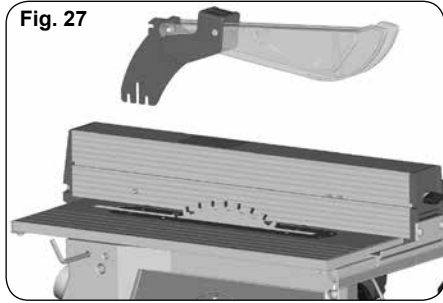
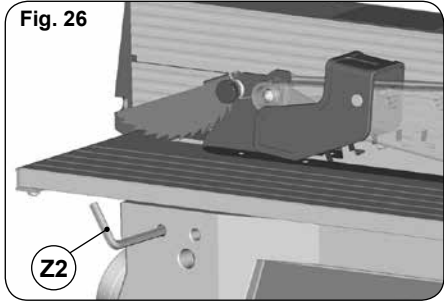
Conformément à la directive européenne 2002/96/CE, tout utilisateur peut contacter l'établissement dans lequel il a acheté le produit, ou les autorités locales compétentes, pour se renseigner sur la façon d'éliminer le produit et le lieu où il doit être déposé pour être soumis à un recyclage écologique, en toute sécurité.

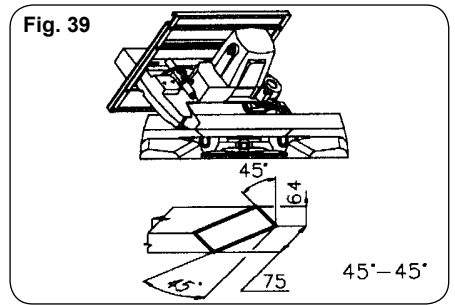
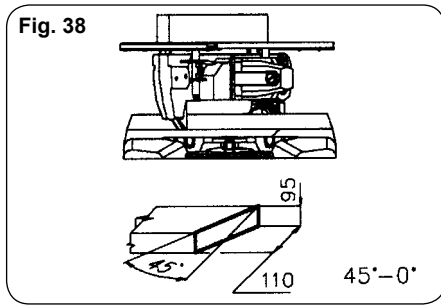
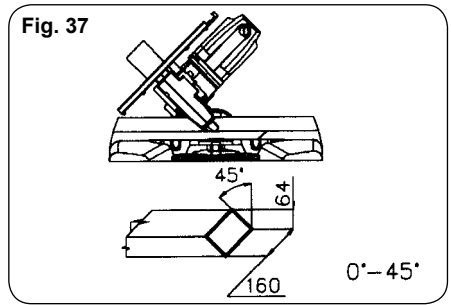
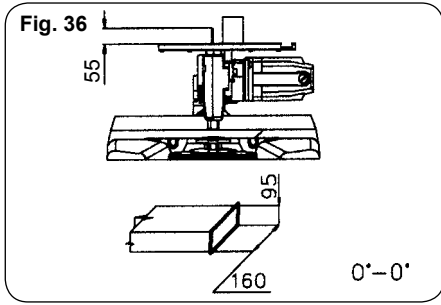
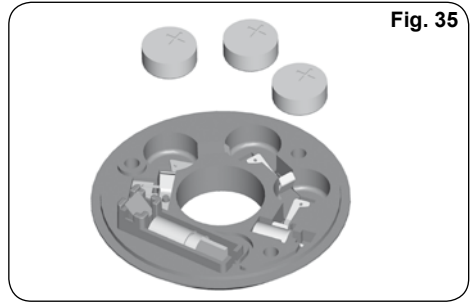
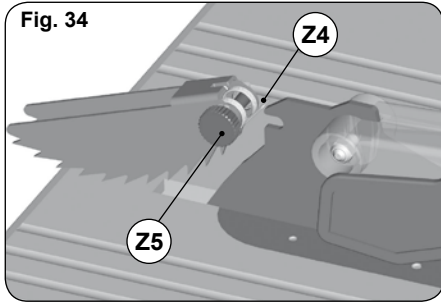
Afin d'améliorer et d'actualiser continuellement ses produits, VIRUTEX se réserve le droit de faire des modifications sans avis préalable.













<http://www.virutex.es/registre>

Acceda a toda la información técnica.
Access to all technical information.
Accès à toute l'information technique.



3396784 102014



Virutex, S.A.
Antoni Capmany, 1
08028 Barcelona (Spain)

www.virutex.es